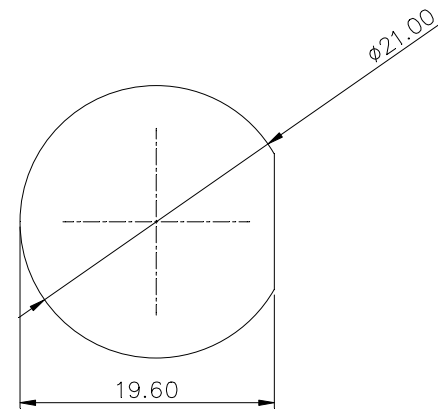
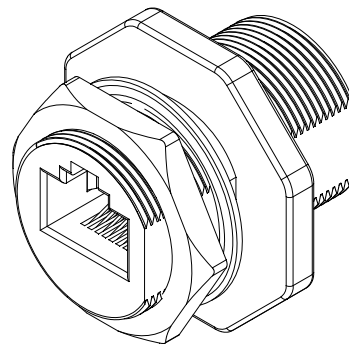


Electrical Specifications:

Meets EIA/TIA-568-B.2 Cat.6A Specification
 Contact Resistance: 100 mOhm max
 Insulation Resistance: 500 MOhm min @100V DC
 DWV: 1000V AC/60s min Contact to Contact
 Operating Temperature: -40°C TO +80°C

NOTES:

1. MATERIAL:
 - 1.1 HOUSING&Nut: ENGINEERING THERMOPLASTIC, UL94V-0, COLOR:BLACK.
 - 1.2 CONTACTS: PHOSPHOR BRONZE.
 - 1.3 Gasket: SILICON, COLOR:RED
2. FINISH:
 - 2.1 CONTACTS: GOLD PLATING OVER NICKEL.



Panel Cut-Out
 Panel Thick: 1.5~2mm

RoHS COMPLIANT

| | | | |
|------------------------------|---------------------------------|---|------------------------------|
| 設計 DR. Leon 2014/03/20 | 核准 APPD. Marco 2014/03/20 | 容許公差 TOLERANCE :XXX ±0.10 :XX ±0.25 :X ±0.38 X ±0.50 ANG ±3° | 品名 ARTICLE 3352防水接頭(中繼接頭) |
| 版本說明 REVISION NOTE | | 圖號 DWG NO. 3352G02040 | 單位 UNIT mm |
| KINSUN | | 比例 SCALE 2.5/1 | 張數 SHEET 1/1 |
| | | 版本 REV. A | |



