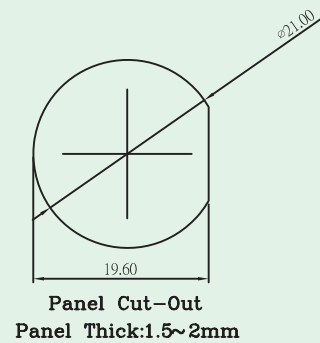
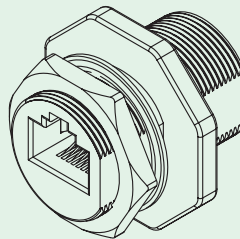
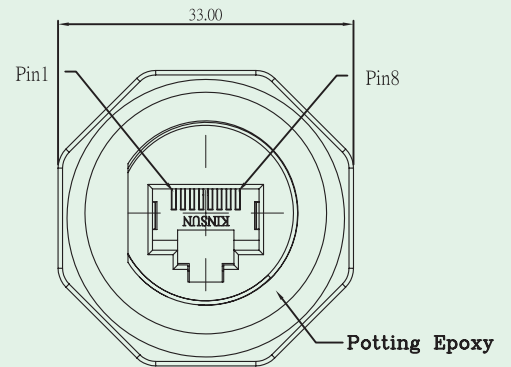
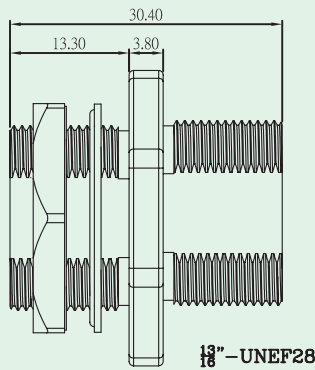
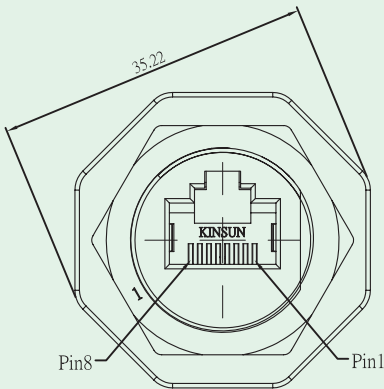




# Waterproof Cat5e , Cat6A Coupler (IP68)

**KINSUN**



## Materials

- **Plastic Housing** : Engineering Thermoplastic.  
Flammability Rating UL 94V-0.
- **Contacts** : Phosphor Bronze.
- **Plating** : Gold Plating Over Nickel In Contact.
- **Nut** : Engineering Thermoplastic Flammability Rating UL 94V-0
- **Gasket** : EPDM 70° COLOR : BLACK



## Ordering Information

**3352G02639 Cat 5e**  
**3352G02040 Cat 6A**