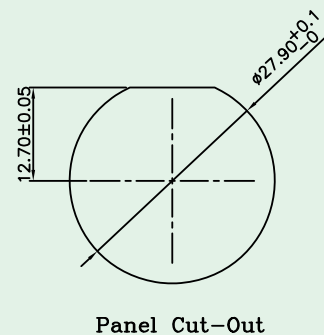
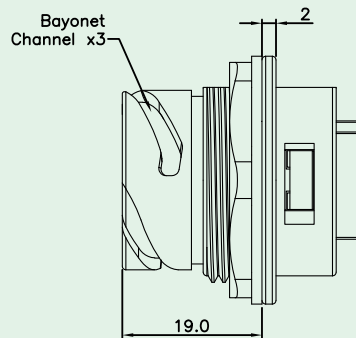
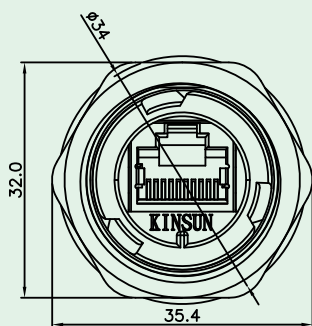
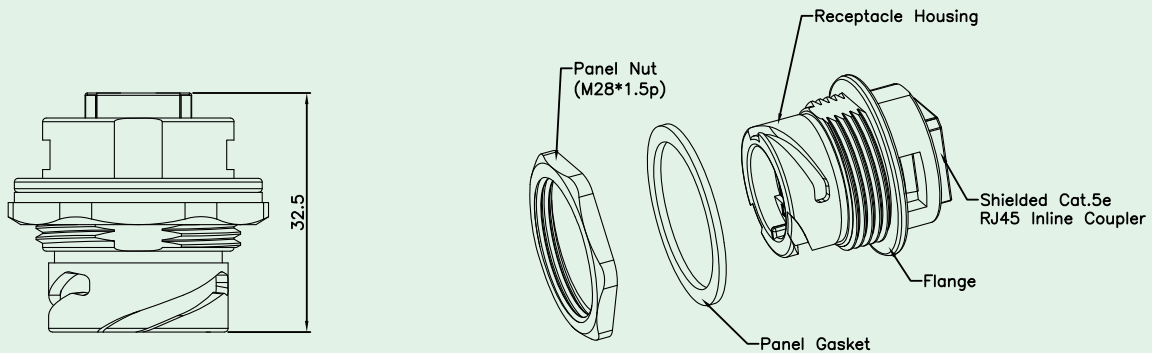




# Metal Waterproof Cat.5e Coupler Jack (IP68)

**KINSUN**



## Materials

- **Receptacle Housing** : Zn Alloy 3, Nickel Plated
  - **Panel Nut** : Coper Alloy, Nickel Plated
  - **Panel Gasket** : Silicone
  - **RJ45 Jack Metal Shell** : Coper Alloy, Nickel Plated
  - **RJ45 Jack Plastic Housing** : Engineering Thermoplastic Flammability Rating UL94 V-0
  - **RJ45 Jack Contact** : Phosphor Bronze, finish : Gold over Nickel
- Connector can be front mounted to a maximum panel thickness of 3.2mm.



## Ordering Information

# 3353D00040