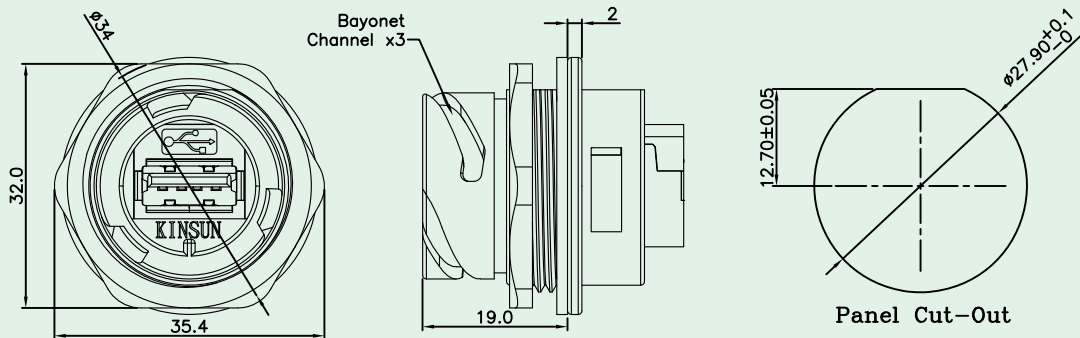
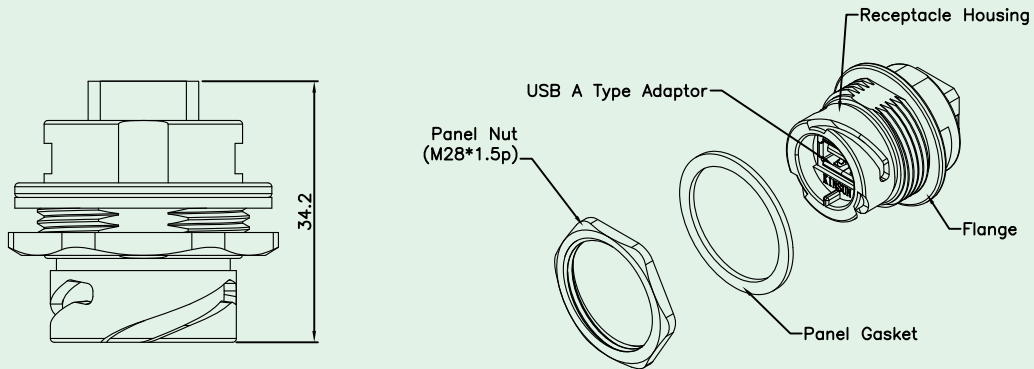




# Metal Waterproof USB/A Coupler (IP68)

**KINSUN**



## Materials

- **Receptacle Housing** : Zn Alloy 3, Nickel Plated
- **Panel Nut** : Coper Alloy, Nickel Plated
- **Panel Gasket** : Silicon
- **USB CONN** : USB A Type
- **Contact** : Gold over Nickel

Connector can be front mounted to a maximum panel thickness of 3.2mm.



## Ordering Information

# 3353K00030