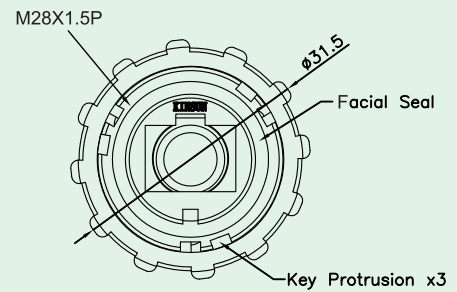
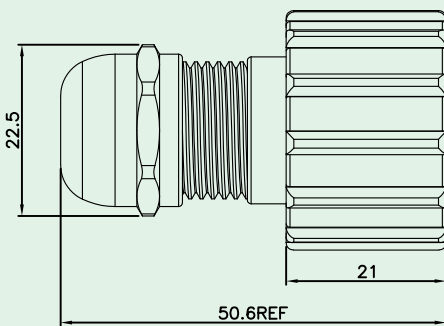
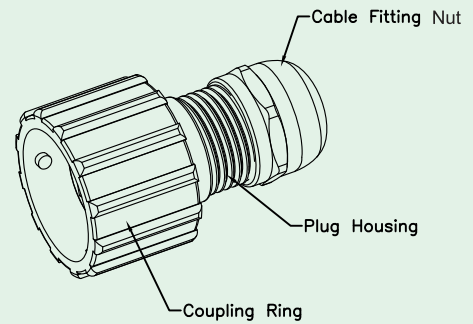
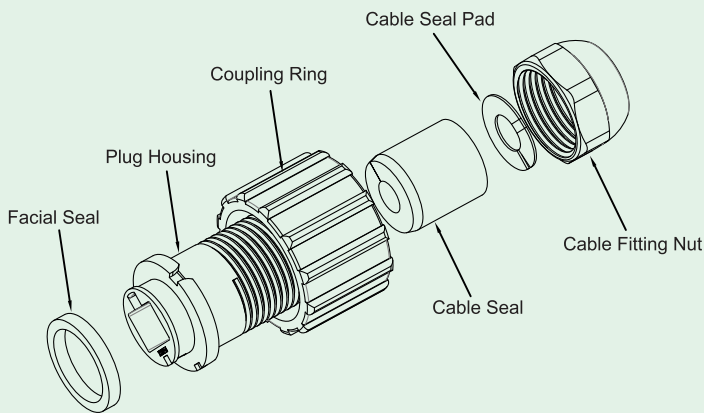
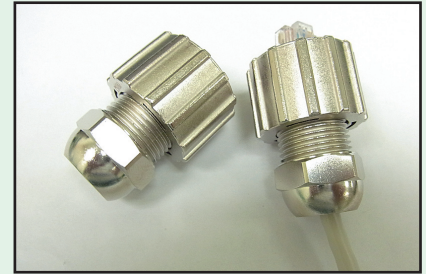




# Metal Type Cable Side (IP68)

**KINSUN**



## Materials

NAME	SPECIFICATION	QTY	NOTE
Coupling Ring	Zn Alloy 3, Nickel Plated	1	
Plug Housing	Zn Alloy 3, Nickel Plated	1	
Cable Fitting Nut	Coper Alloy, Nickel Plated	1	
Facial Seal	Silicon, Red	1	
Cable Seal	Silicon, Red	1	
Cable Seal Pad	Teflon, White	1	



## Ordering Information

**3353L01000**