



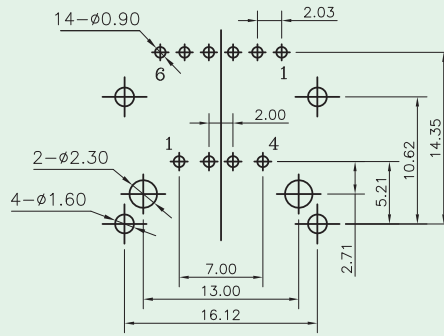
RJ45 Over Single USB 10/100 Base-T (8P6C)

KINSUN

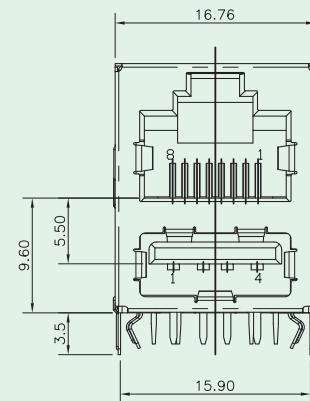
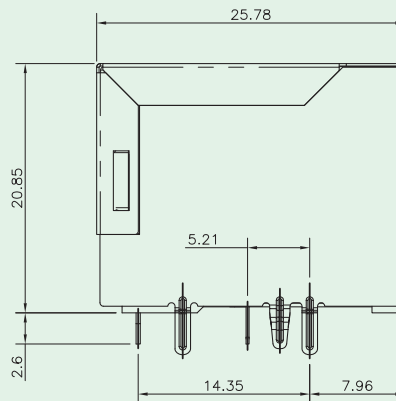
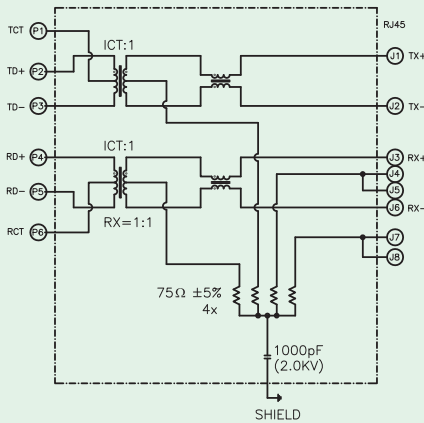
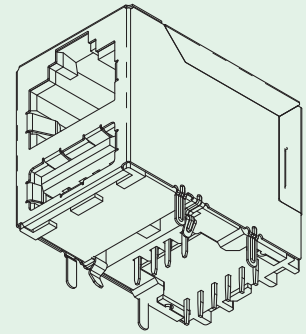
ELECTRICAL CHARACTERISTICS @ 25°C

<p> URNS RATIO TX RX OCL: @100KHz/100mVRMS 8mA DC BLAS INS. LOSS 1MHz TO 100MHz RET.LOSS(MIN) 1MHz-30MHz 30MHz-60MHz 60MHz-80MHz CROSS TALK (TX - RX) 50KHz-80MHz 80MHz-100MHz CM TO CM REJ 100KHz-100MHz CM TO DM REJ 100KHz-100MHz </p>	<p> ICT: 1 ICT: 1 350uH MIN -1.0dB MAX -18dB -18+20LOG(F/30MHz)dB -12dB -35dB MIN -33dB MIN -30dB MIN -40dB MIN </p>
---	--

HIPOT (Isolation voltage): 1500Vrms



PCB LAYOUT/TOP VIEW



Materials

- **Plastic Housing** : Engineering Thermoplastic.
Flammability Rating UL 94V-0.
- **Contacts** : Phosphor Bronze.
- **Plating** : Gold Plating Over Nickel In Contact Area.
Tin Plating Over Nickel In Solder Area.



Ordering Information

3500 - A 10 Series

