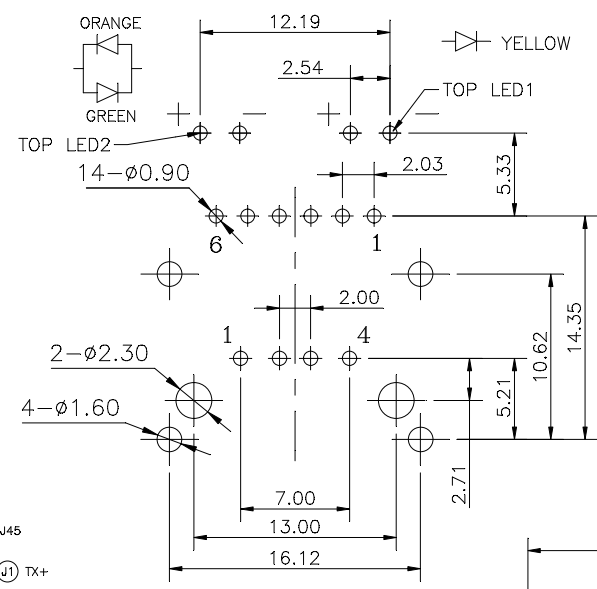
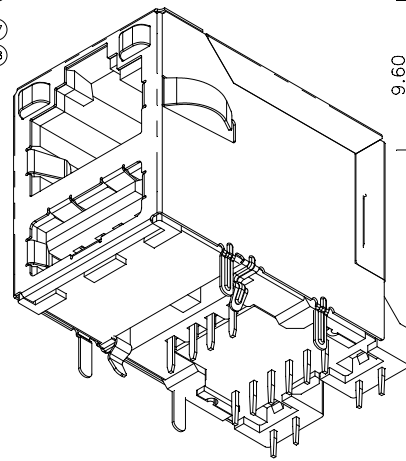
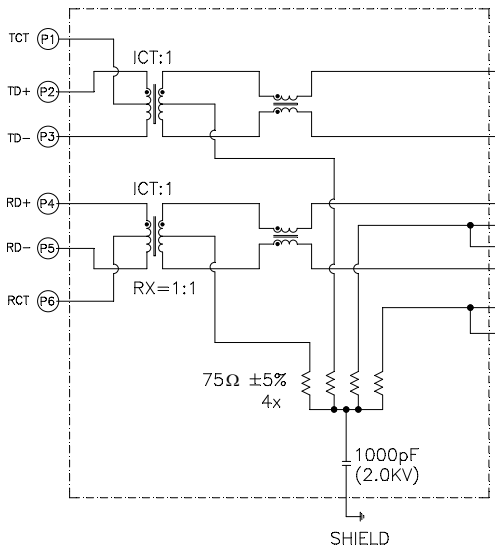
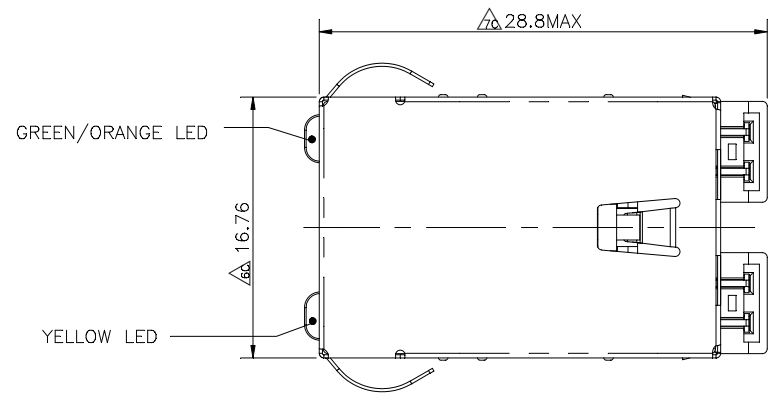


ELECTRICAL CHARACTERISTICS @ 25°C

TURNS RATIO TX RX OCL: @100KHz/100mVRMS 8mA DC BLAS INS. LOSS 1MHz TO 100MHz RET.LOSS(MIN) 1MHz-30MHz 30MHz-60MHz 60MHz-80MHz CROSS TALK (TX - RX) 50KHz-100MHz CM TO CM REJ 100KHz-100MHz CM TO DM REJ 100KHz-100MHz HIPOT (Isolation voltage): 1500Vrms	ICT: 1 ICT: 1 350uH MIN -1.0dB MAX -18dB -18+200LOG(F/30MHz)dB -12dB -35dB MIN -30dB MIN -40dB MIN
--	---



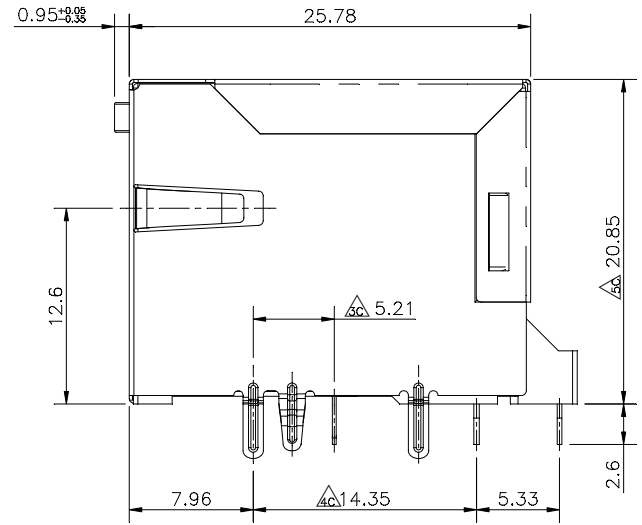
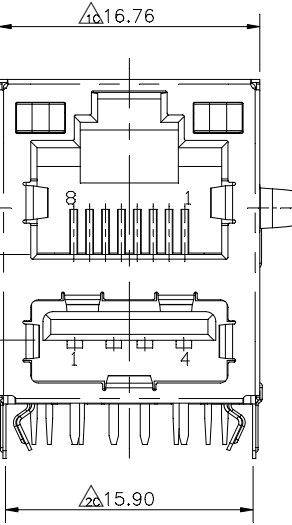
PCB LAYOUT/TOP VIEW



RoHS COMPLIANT

※凡標註△記號者，為品管檢驗之尺寸

MATERIALS:
 HOUSING: Thermoplastic, UL 94V-0. Color Black.
 CONTACTS: Phosphor Bronze.
PLATING:
 (1) Gold Plating Over Nickel In Contact.
 (2) Tin Plating Over Nickel In Solder Area.
 SHIELD: Brass Plating Nickel.
MECHANICAL:
 DURABILITY: 1500 Mating Cycles.
 P/N:
 3500A11011(Contact Plating: 3u"(USB)&6u"(RJ45)min.)



設計 DR. Wing	核准 APPD. Jerry	容許公差 .XXX ±0.10 .XX ±0.25 .X ±0.38 X ±0.50 ANG ±3°	TOLERANCE	品名 ARTICLE
版本說明 修改SPEC敘述		REVISION NOTE		MADULE JACK_RJ45 OVER SINGLE USB
圖號 DWG NO.				3500A11011
單位 UNIT	比例 SCALE	張數 SHEET	版本 REV.	
mm	1/3	1/1	D	

