



# RJ45 Over Single USB 10/100/1000 Base-T

# KINSUN

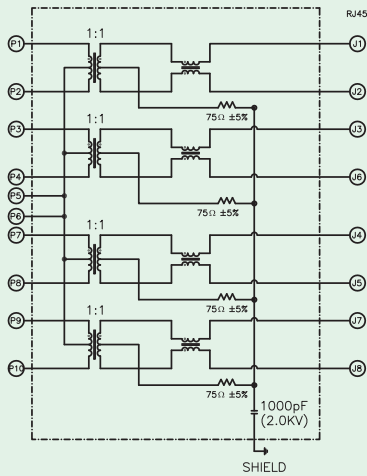
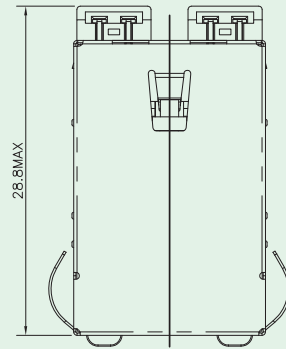
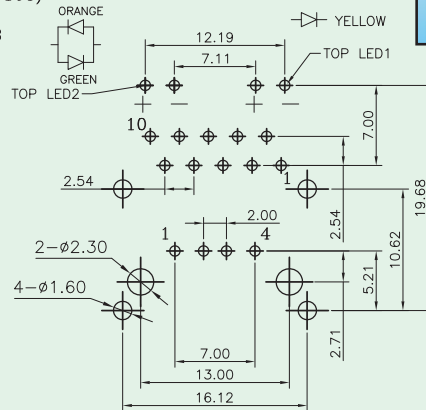


Turns Ratio (+5%):TX (1CT : 1CT) RX( 1CT : 1CT)

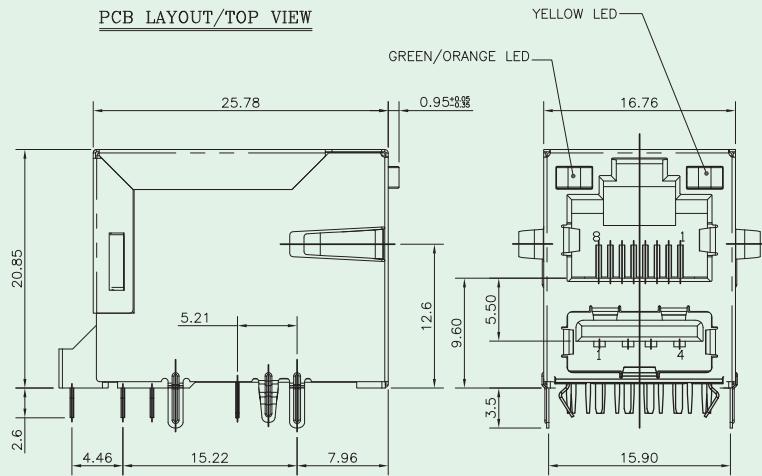
Insertion Loss (dB MAX): 0.3~100 MHz -1.0dB  
Return Loss(dB MIN @100 )  
30MHz -18dB  
60MHz -14dB  
80MHz -12dB

Crosstalk (TX-RX) (dB MIN)  
1MHz ~ 30MHz -40 dB  
30MHz ~ 60MHz -35 dB  
60MHz ~ 100MHz -30 dB

CMRR TX/RX(dB MIN)  
30MHz -40 dB  
50MHz -35 dB  
100MHz -30dB  
150MHz -20 dB  
Hipot (Vrms MIN) 1500AVC



PCB LAYOUT/TOP VIEW



## Materials

- **Plastic Housing** : Engineering Thermoplastic.  
Flammability Rating UL 94V-0.
- **Contacts** : Phosphor Bronze.
- **Plating** : Gold Plating Over Nickel In Contact Area.  
Tin Plating Over Nickel In Solder Area.



## Ordering Information

# 3500 - H Series

Series No. \_\_\_\_\_ H : 10/100/1000 Base-T