

Turns Ratio (+5%):TX (1CT : 1CT) RX(1CT : 1CT)

Insertion Loss (dB MAX): 0.3~100 MHz -1.0dB

Return Loss(dB MIN @100)

30MHz -18dB

60MHz -14dB

80MHz -12dB

Crosstalk (TX-RX) (dB MIN)

1MHz ~ 30MHz -40 dB

30MHz ~ 60MHz -35 dB

60MHz ~ 100MHz -30 dB

CMRR TX/RX(dB MIN)

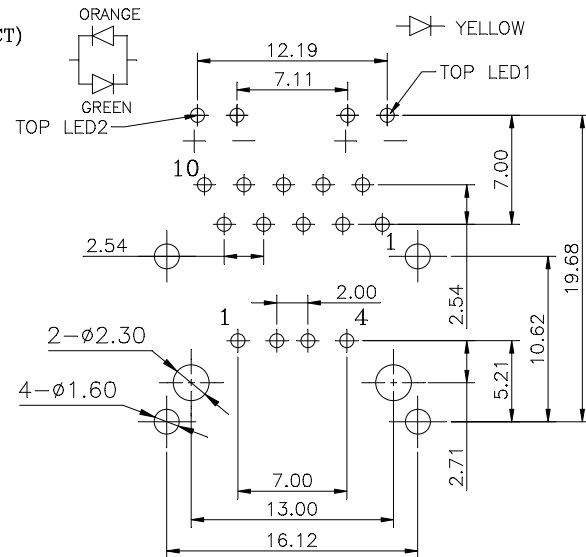
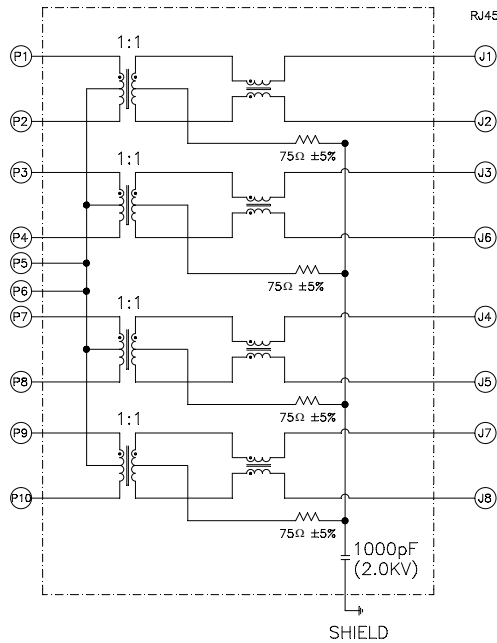
30MHz -40 dB

50MHz -35 dB

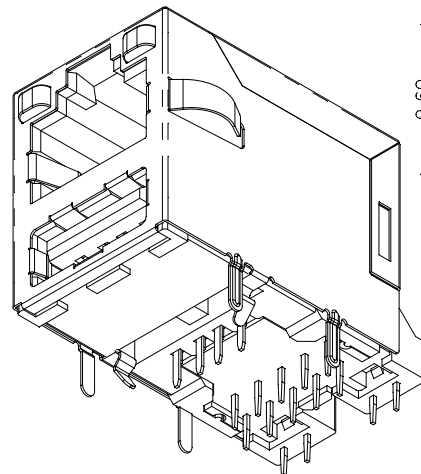
100MHz -30dB

150MHz -20 dB

Hipot (Vrms MIN) 1500AVC

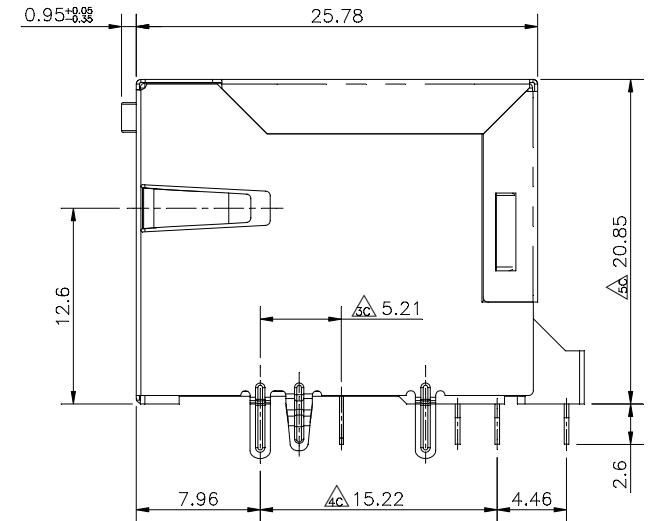
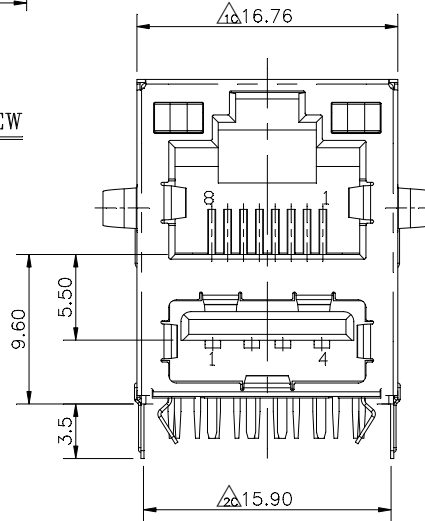
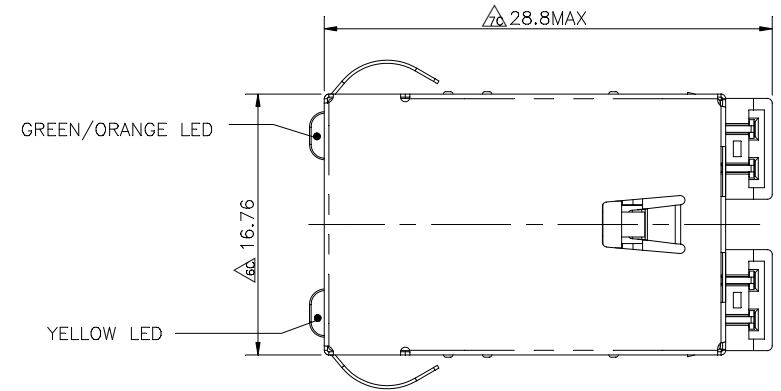


PCB LAYOUT/TOP VIEW



RoHS COMPLIANT

※凡標註△記號者，為品管檢驗之尺寸



MATERIALS:

HOUSING:Thermoplastic,UL 94V-0. Color Black.

CONTACTS: Phosphor Bronze.

PLATING:

(1)Gold Plating Over Nickel In Contact.

(2)Tin Plating Over Nickel In Solder Area.

SHIELD: Brass Plating Nickel.

MECHANICAL:

DURABILITY: 1500 Mating Cycles.

P/N:

3500H11011(Contact Plating:3u"(USB)&6u"(RJ45)min.)

設計 DR. Wing 22-Jun-2010	核准 APPD. Jerry 2010-06-23	容許公差 .XXX ±0.10 .XX ±0.25 .X ±0.38 X ±0.50 ANG ±3°	TOLERANCE	品名 ARTICLE
版本說明 依E302-0812007新產品開發		REVISION NOTE		MADULE JACK_RJ45 OVER SINGLE USB
圖號 DWG NO.				3500H11011
單位 UNIT	比例 SCALE	張數 SHEET	版本 REV.	
mm	1/3	1/1	B	

