



RJ45 Over Dual USB 10/100/1000 Base-T

KINSUN



Turns Ratio (+5%):TX (1CT : 1CT) RX(1CT : 1CT)

Insertion Loss (dB MAX): 0.3~100 MHz -1.0dB

Return Loss(dB MIN @100)

30MHz -18dB

60MHz -14dB

80MHz -12dB

Crosstalk (TX-RX) (dB MIN)

1MHz ~ 30MHz -40 dB

30MHz ~ 60MHz -35 dB

60MHz ~ 100MHz -30 dB

CMRR TX/RX(dB MIN)

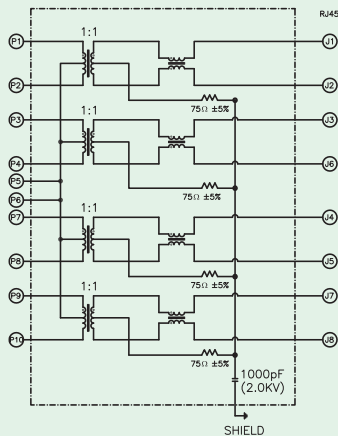
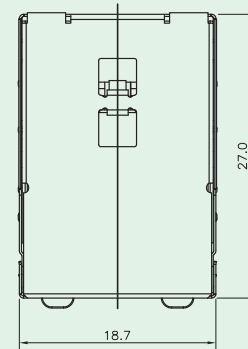
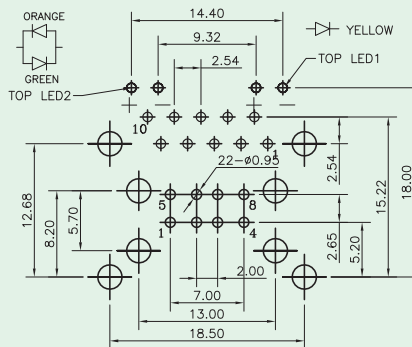
30MHz -40 dB

50MHz -35 dB

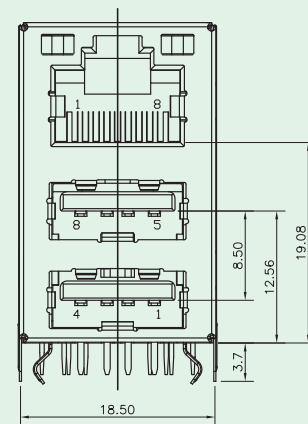
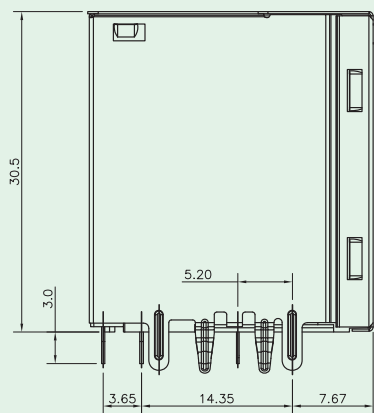
100MHz -30dB

150MHz -20 dB

Hipot (Vrms MIN) 1500AVC



PCB LAYOUT/TOP VIEW



Materials

- **Plastic Housing** : Engineering Thermoplastic.
Flammability Rating UL 94V-0.
- **Contacts** : Phosphor Bronze.
- **Plating** : Gold Plating Over Nickel In Contact Area.
Tin Plating Over Nickel In Solder Area.



Ordering Information

3501 - H Series

Series No.

H : 10/100/1000 Base-T