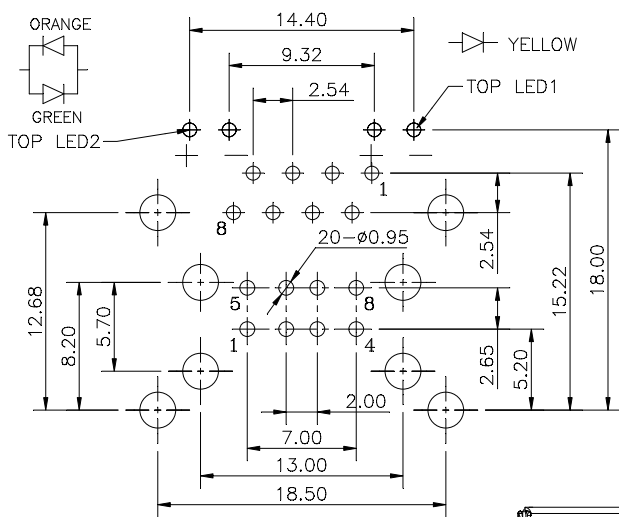


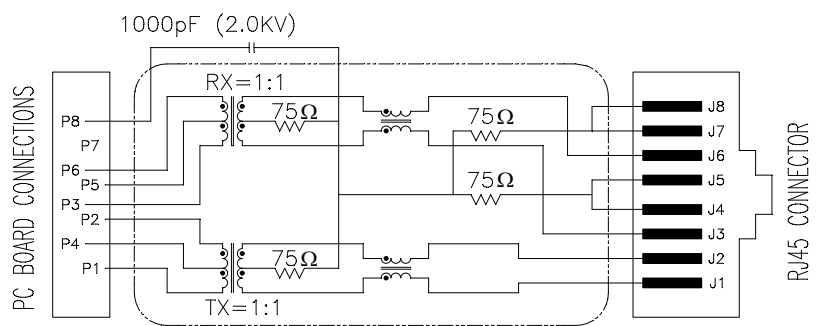
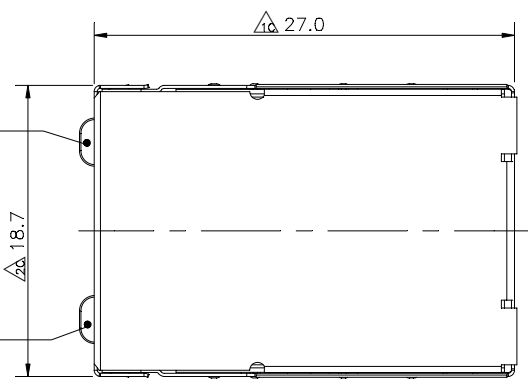
ELECTRICAL CHARACTERISTICS @ 25°C

TURNS RATIO	
TX	ICT: 1
RX	ICT: 1
OCL: @100KHz/100mVRMS	
8mA DC BLAS	350uH MIN
INS. LOSS	
1MHz TO 100MHz	-1.0dB MAX
RET.LOSS(MIN)	
1MHz-30MHz	-18dB
30MHz-60MHz	-18+20LOG(F/30MHz)dB
60MHz-80MHz	-12dB
CROSS TALK (TX - RX)	
50KHz-80MHz	-35dB MIN
80MHz-100MHz	-33dB MIN
CM TO CM REJ	
100KHz-100MHz	-30dB MIN
CM TO DM REJ	
100KHz-100MHz	-40dB MIN

HIPOT (Isolation voltage): 1500Vrms

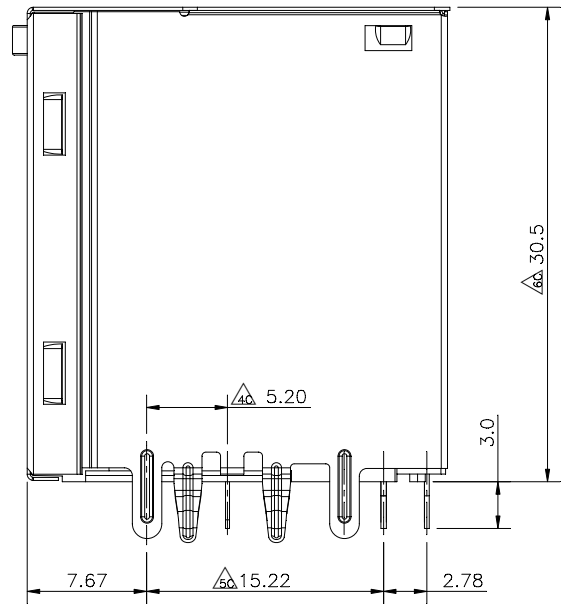
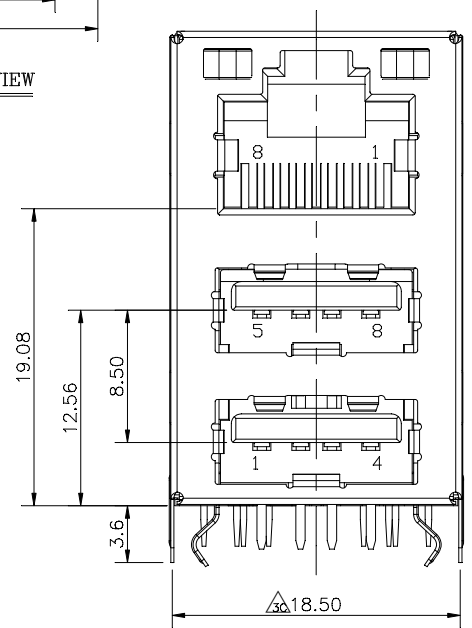


PCB LAYOUT/TOP VIEW



KS-06

P1-P4-P2, J1-J2
P3-P5-P6, J3-J6



MATERIALS:
HOUSING: Thermoplastic, UL 94V-0. Color Black.
CONTACTS: Phosphor Bronze.
PLATING:
(1) Gold Plating Over Nickel In Contact.
(2) Tin Plating Over Nickel In Solder Area.
SHIELD: STAINLESS STEEL.
MECHANICAL:
DURABILITY: 1500 Mating Cycles.
P/N:
3501S13011(Contact Plating: 3u"(USB)&6u"(RJ45)min.)
3501S13001(Contact Plating: 3u"(USB)&3u"(RJ45)min.)

RoHS COMPLIANT

※凡標註△記號者，為品管檢驗之尺寸

設計 DR. Wing 25-Jun-2010	核准 APPD. Jerry 2010-06-25	容許公差 .XXX ±0.10 .XX ±0.25 .X ±0.38 X ±0.50 ANG ±3°	TOLERANCE	品名 ARTICLE MODULE JACK_RJ45 OVER DUAL USB
版本說明 REVISION NOTE -----依E302-0812007新產品開發-----		圖號 DWG NO. 3501S13001		單位 UNIT mm
				比例 SCALE 1/3
				張數 SHEET 1/1
				版本 REV. A