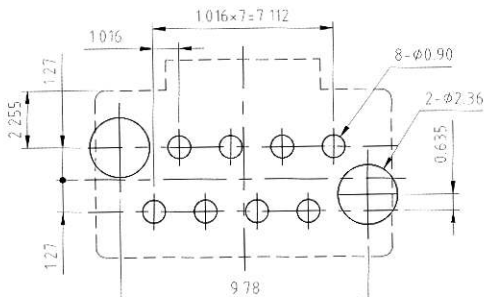
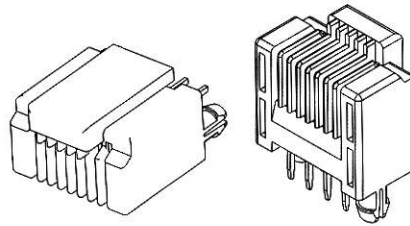
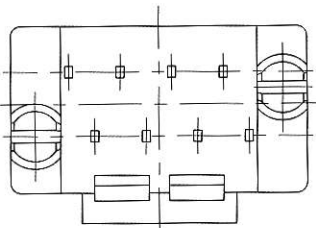
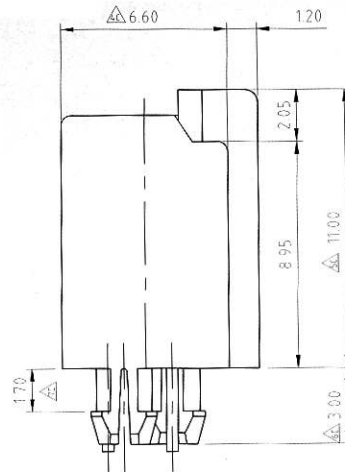
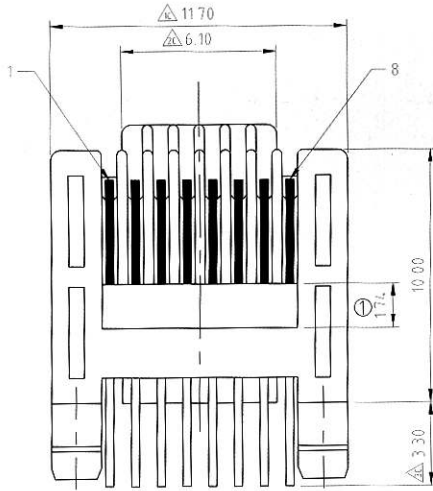
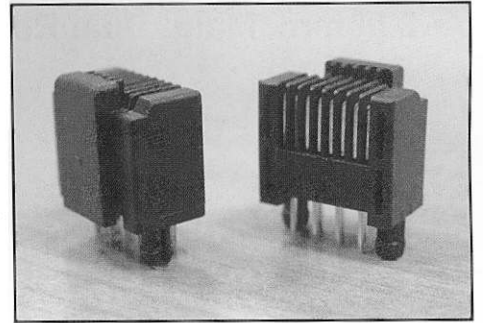




PCB PLUG

KINSUN



PCB LAYOUT/TOP VIEW

Materials

- **Plastic Housing** : High Temp. Thermoplastic Flammability Rating UL 94V-0.
- **Contacts** : Phosphor Bronze.
- **Plating** : Gold Plating Over Nickel In Contact.
Tin Plating Over Nickel In Solder Area.



Ordering Information

3711 Series