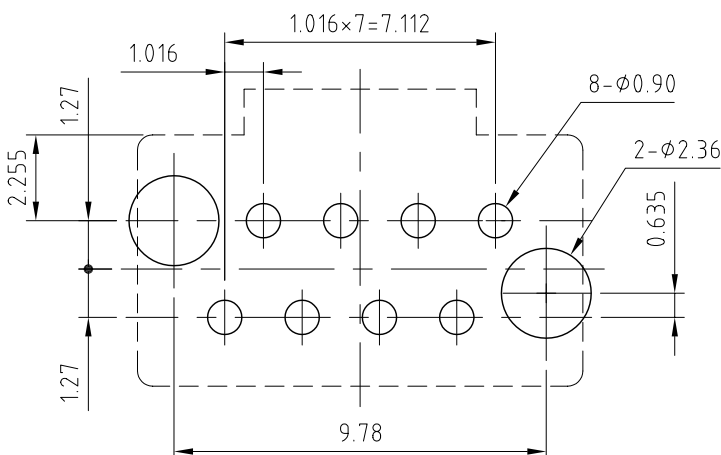
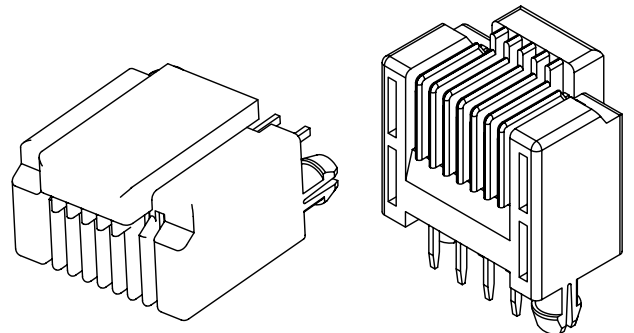
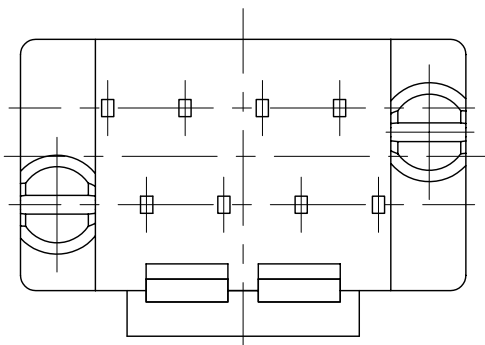
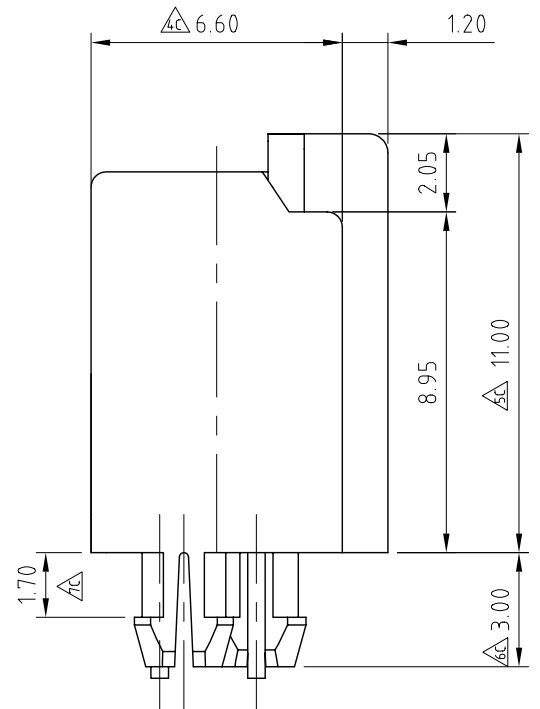
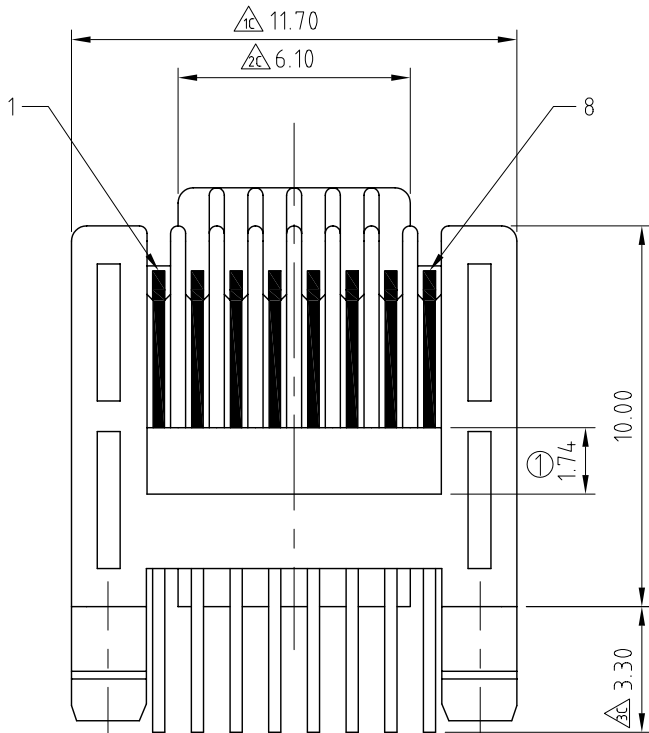


RoHS COMPLIANT



PCB LAYOUT/TOP VIEW

6u" P/N 3711015600 BLACK
50u" P/N 3711015900 BLACK

MATERIALS:

PLASTIC HOUSING: HIGH TEMP. THERMOPLASTIC
FLAMMABILITY RATING UL 94V-0.

CONTACTS: PHOSPHOR BRONZE

PLATING: GOLD PLATING OVER NICKEL IN CONTACT.
TIN PLATING OVER NICKEL IN SOLDER AREA.

※凡標註△記號者, 為品管檢驗之尺寸

※凡標註①記號者, 為3711-001增力口塑膠膠逃料

設計DR. Vinson Liao 98-04-08	核准APPD. Jerry 98-04-08	容許公差 .XXX ±0.10 .XX ±0.25 .X ±0.38 X ±0.50 ANG ±3°	TOLERANCE	品名 ARTICLE 3711 PCB PLUG
版本說明 REVISION NOTE				圖號 DWG NO. 3711015600
依照3711-001增力口塑膠膠逃料				單位 UNIT 比例 SCALE 張數 SHEET 版本 REV.
				mm 5/1 1/1 B