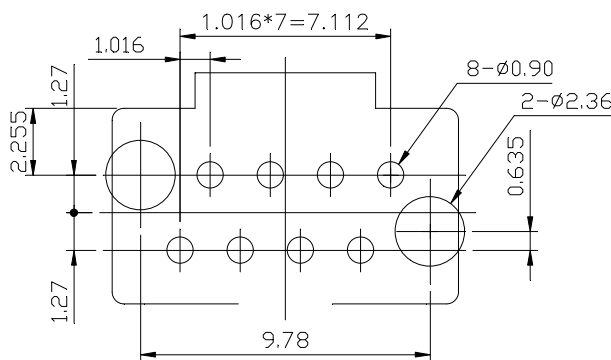
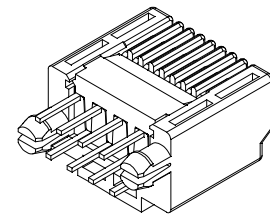
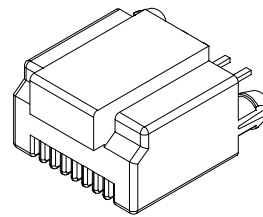
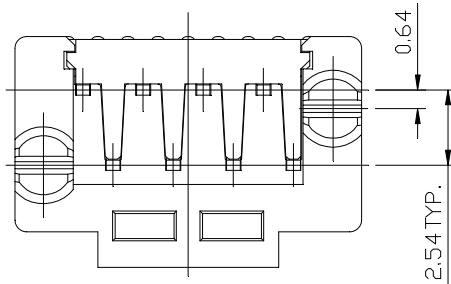
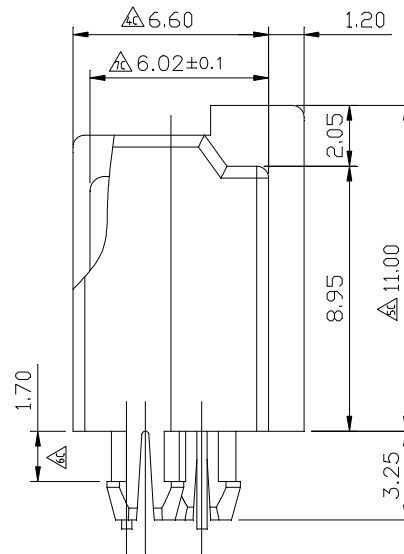
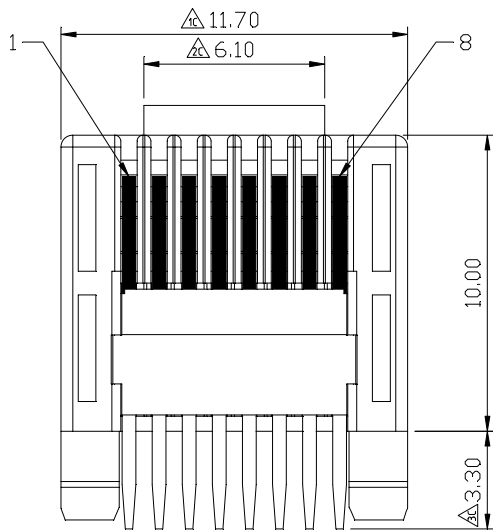


RoHS COMPLIANT



PCB LAYOUT/TOP VIEW

P/N:
 3711015610 (Black, 6u" Gold.)
 3711015810 (Black, 30u" Gold.)

MATERIALS:
 PLASTIC HOUSING : HIGH TEMP. THERMOPLASTIC
 FLAMMABILITY RATING UL 94V-0.

CONTACTS: BRASS
 PLATING: GOLD PLATING OVER NICKEL IN CONTACT.
 TIN PLATING OVER NICKEL IN SOLDER AREA.

※ 凡標註記號者, 為品管檢驗之尺寸

設計 DR. Allen 2013/03/21	核准 APPD. Marco	容許公差 .XXX ±0.10 .XX ±0.25 .X ±0.38 X ±0.50 ANG ±3°	TOLERANCE	品名 ARTICLE 3711 PCB PLUG 拆件式
版本說明 REVISION NOTE -----初版發行-----				圖號 DWG NO. 3711015610
			單位 UNIT mm	比例 SCALE 5/1
			張數 SHEET 1/1	版本 REV. A