

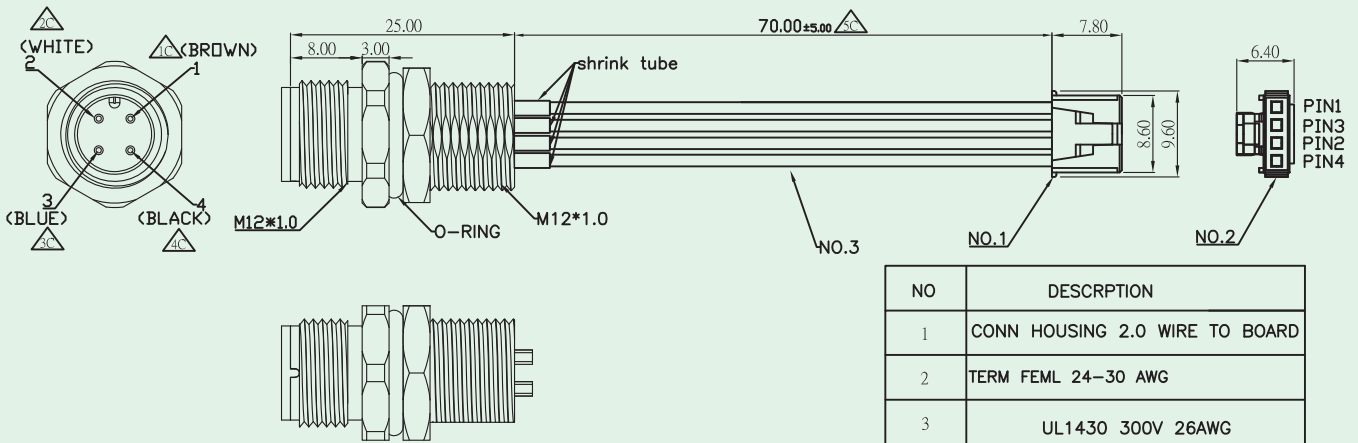


# Waterproof M12 Male Rear Mount with Wire Harness or Cable Assembly (IP 68)

**KINSUN**

CONTACT ARRANGEMENT FRONT VIEW							
	8P	7P	6P	5P	4P	3P	2P
	9P	10P	11P	12P			

PIN	DESCRIPTION	AWG	COLOR
4	COM	26	BLACK
2	N.O.	26	BLUE
3	0V	26	WHITE
1	DC12V	26	BROWN



## Materials

- **Plastic Housing** : Engineering Thermoplastic  
Flammability Rating UL 94V-0.
- **Contacts** : Copper Alloy.
- **Plating** : Gold Plating Over Nickel In Contact.
- **O-Ring** : Silicone Rubber Black Color.
- **Shielded** : Brass With Nickel Plated.



## Ratings and Characteristics

- **Current Rating** : 4A(2 to 5Pin) 2A(6 to 8Pin)  
1.5A(9 to 12Pin)
- **Rated Voltage** : 250V AC/DC(2 to 4Pin)  
60V AC/DC(5Pin)  
30V AC/DC(6 to 8Pin) 30V AC/DC(9 to 12Pin)
- **Insulation Resistance** : 10<sup>8</sup> Ω Min

## Ordering Information

**4001 B**  **W**

Series No. Male Panel mount:M12\*1.0  Other description

C=Cable Assembly  
 W=Wire harness

2=2Pins	9=9Pins
3=3Pins	A=10Pins
4=4Pins	B=11Pins
5=5Pins	C=12Pins
6=6Pins	
7=7Pins	
8=8Pins	