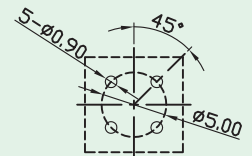




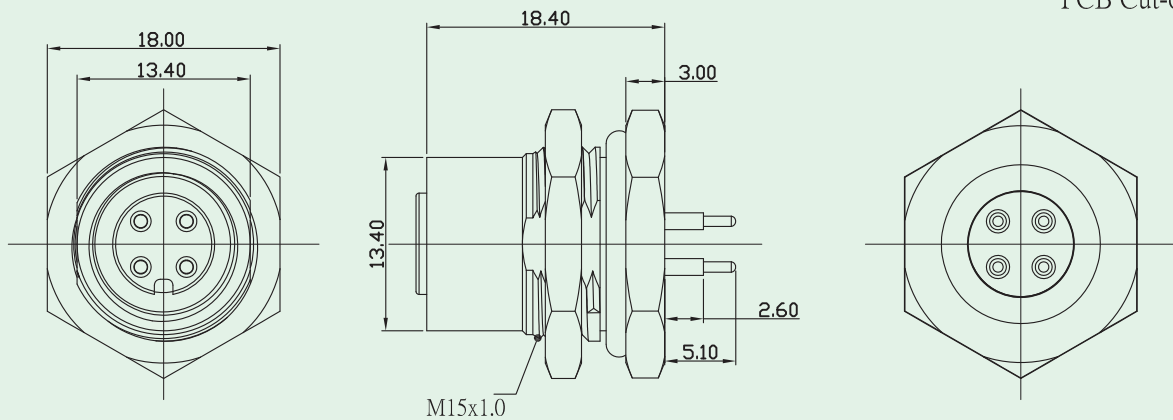
Waterproof M12 Female Front Mount (IP 68)

KINSUN

CONTACT ARRANGEMENT FRONT VIEW							
	8P	7P	6P	5P	4P	3P	2P
	9P	10P	11P	12P			

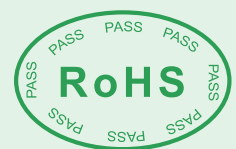


PCB Cut-out



Materials

- **Plastic Housing** : Engineering Thermoplastic
Flammability Rating UL 94V-0.
- **Contacts** : Copper Alloy.
- **Plating** : Gold Plating Over Nickel In Contact.
- **O-Ring** : Silicone Rubber Black Color.
- **Cable** : UL 2464 22AWG, OD5.4mm, Color Black.
- **Shielded** : Brass With Nickel Plated.



Ratings and Characteristics

- **Current Rating** : 4A(2 to 5Pin) 2A(6 to 8Pin)
1.5A(9 to 12Pin)
- **Rated Voltage** : 250V AC/DC(2 to 4Pin)
60V AC/DC(5Pin)
30V AC/DC(6 to 8Pin) 30V AC/DC(9 to 12Pin)
- **Insulation Resistance** : $10^8 \Omega$ Min

Ordering Information

