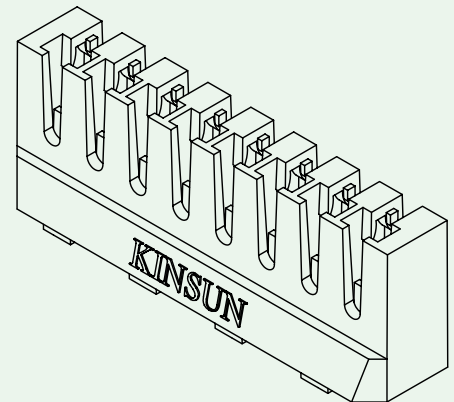
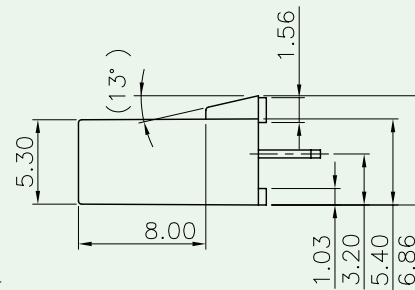
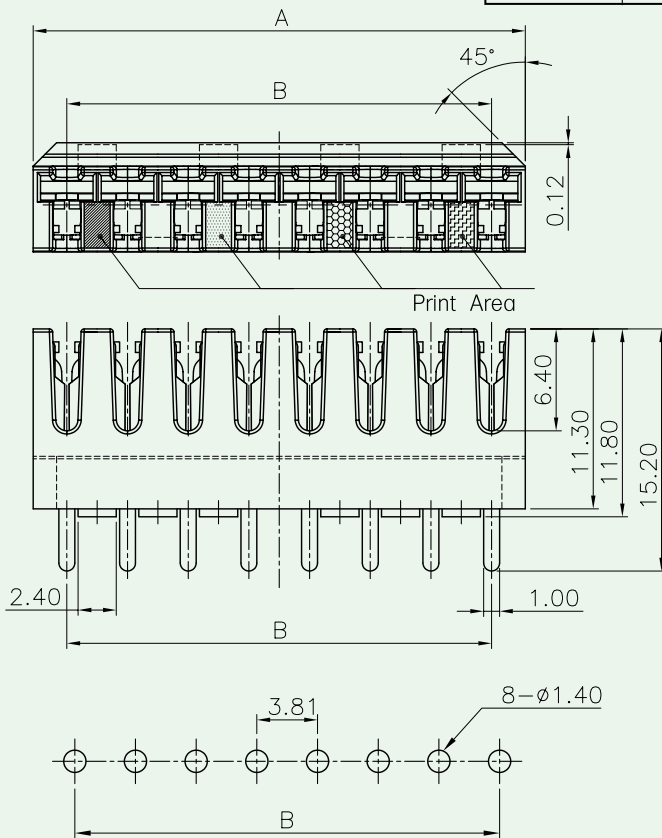
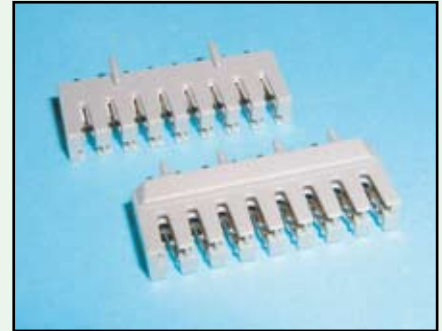




IDC Block (Dual For 110 & Krone Type)

KINSUN

No. of Positions	Dimensions	
	A	B
2	9.80	3.81
4	17.61	11.43
5	21.42	15.24
6	25.23	19.05
8	32.85	26.67



PCB Layout

Materials

- **Insulator** : PC+30% Glass Fiber.
Flammability Rating UL 94V-0.
Standard Color : Gray.
- **Pins** : 0.5mm Thickness Phosphor Bronze With Tin Plated Over Nickel.



Ordering Information

5803 - □

Series No.

No. Of Pins
2, 4, 5, 6 or 8

- **Color Options On Print Area Are Available.**
- **Plastic Peg Option Is Available.**