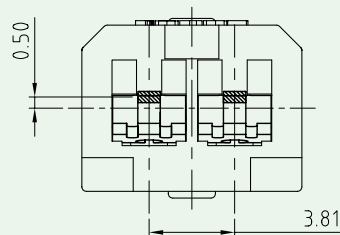
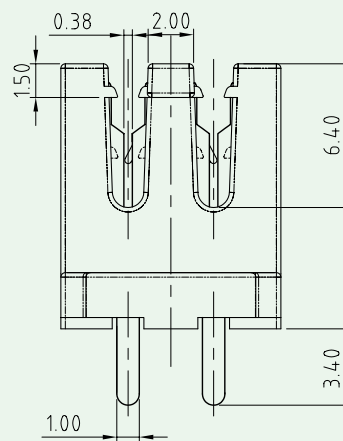
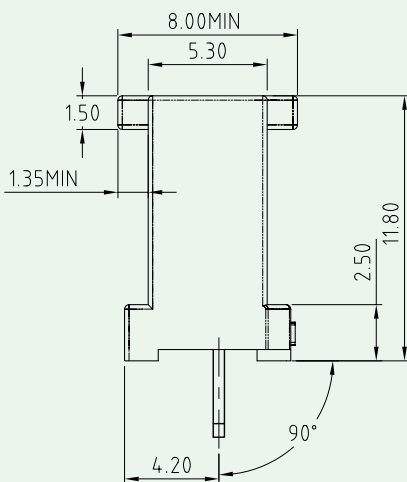
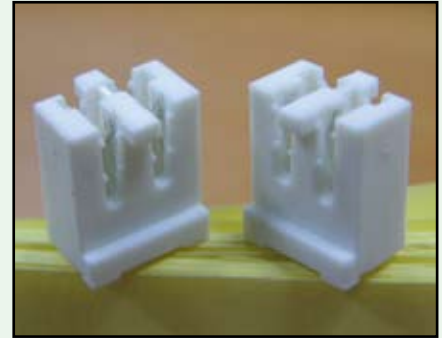
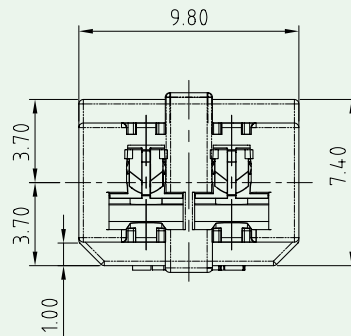
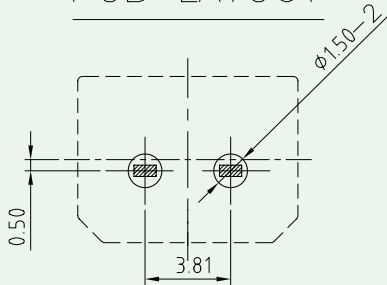




IDC Block (Dual For 110 & Krone Type)

KINSUN

PCB LAYOUT



Materials

- **Insulator** : PC+30% Glass Fiber.
Flammability Rating UL 94V-0.
Standard Color : Gray.
- **Pin** : 0.5mm Thickness Phosphor Bronze With Tin Plated Over Nickel.



Ordering Information

5803220100