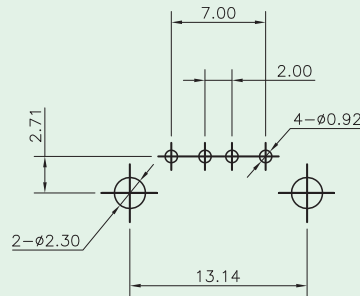
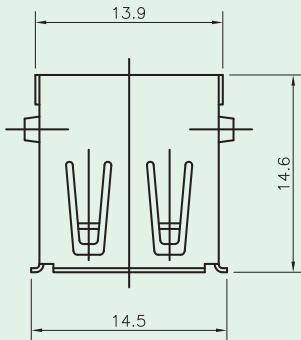


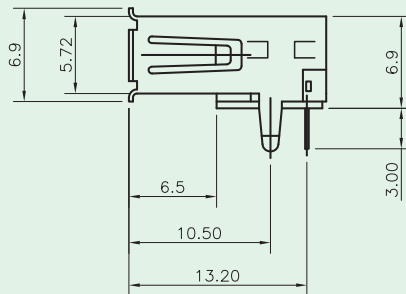
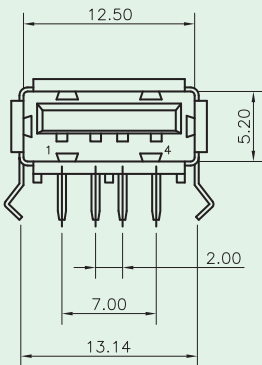
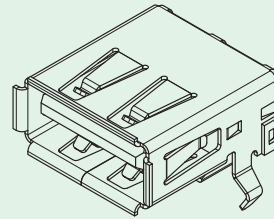
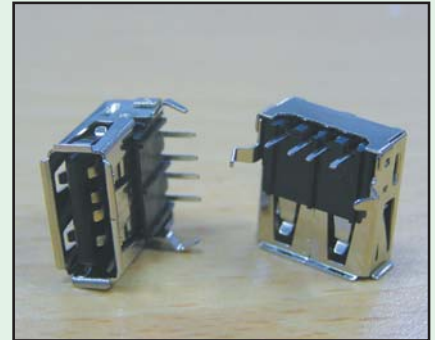


# USB Connector A Type (Side Entry)

**KINSUN**



PCB LAYOUT/TOP VIEW



Voltage Rating : 30V AC  
Current Rating : 1.5AMP  
Insulation Resistance : 1000 MΩ Min  
Contact Resistance : 30 mΩ Max  
Dielectric Withstanding Voltage : 500V AC  
Temperature Range : -20°C to +85°C

## Materials

- **Plastic Housing** : Engineering Thermoplastic.  
Flammability Rating UL 94V-0.
- **Contacts** : Phosphor Bronze.
- **Plating** : Gold Plating Over Nickel In Contact Area.  
Tin Plating Over Nickel In Solder Area.
- **Shield** : Brass Plating Tin.



## Ordering Information

### 6100 - B Series

Series No.

B : Side Entry, TH