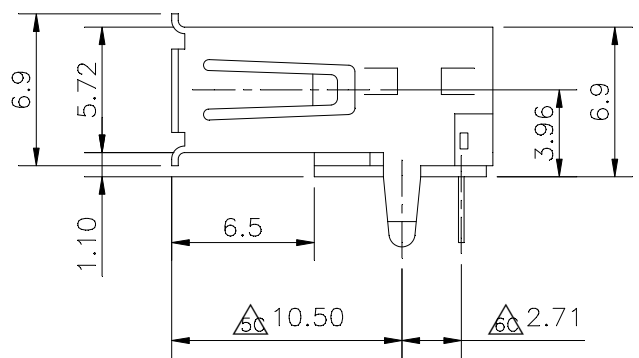
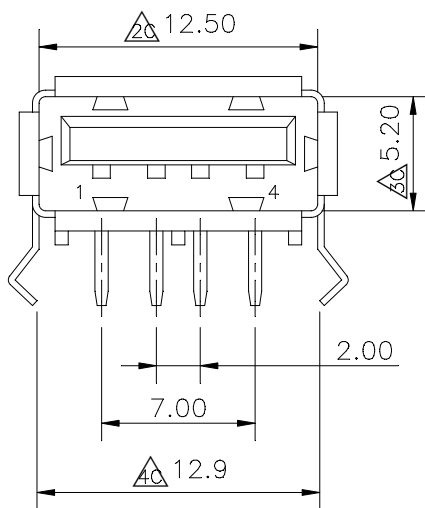


PCB LAYOUT/TOP VIEW



MATERIALS:
 HOUSING: Thermoplastic, UL 94V-0.
 CONTACTS: Phosphor Bronze.
PLATING:
 (1) Gold Plating Over Nickel In Contact.
 (2) Tin Plating Over Nickel In Solder Area.
 SHIELD: Brass Plating Tin. (Bright Sn)
MECHANICAL:
 DURABILITY: 1500 Mating Cycles.
 P/N:
 6100B21000 (White, Contact Area : 3u"min. Gold.)
 6100B11000 (Black, Contact Area : 3u"min. Gold.)
 6100B11030 (Black, Contact Area : 30u"min. Gold.)
 6100111002 (Black, Contact Area : 30u"min. Gold.) 限用料號

RoHS COMPLIANT

※凡標註△記號者, 為品管檢驗之尺寸

設計 DR. Wing 24-Nov-2010	核准 APPD. Jerry 2010-11-24	容許公差 .XXX ±0.10 .XX ±0.25 .X ±0.38 X ±0.50 ANG ±3°	TOLERANCE	品名 ARTICLE USB A TYPE CONNECTOR
版本說明 REVISION NOTE -----依E302-1011060產發流程新增規格-----				圖號 DWG NO. 6100B21000
			單位 UNIT mm	比例 SCALE 1/3
			張數 SHEET 1/1	版本 REV. D