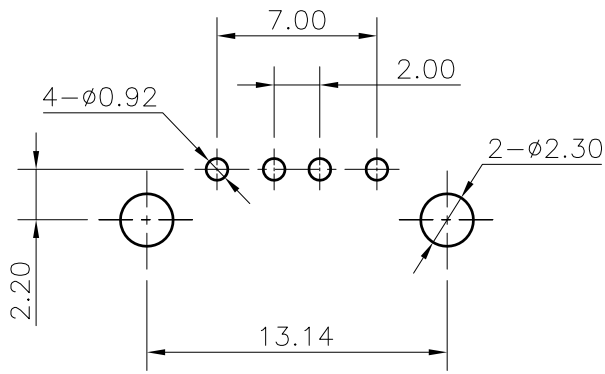
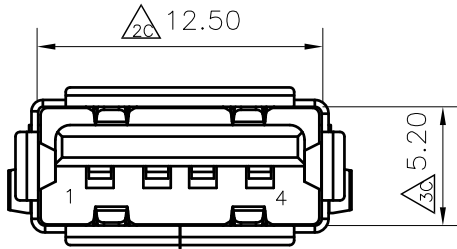
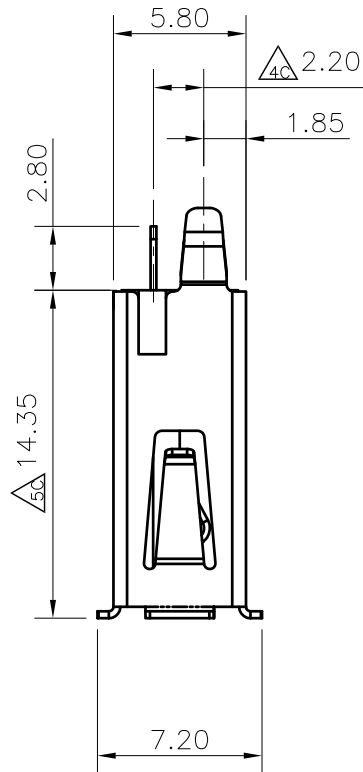
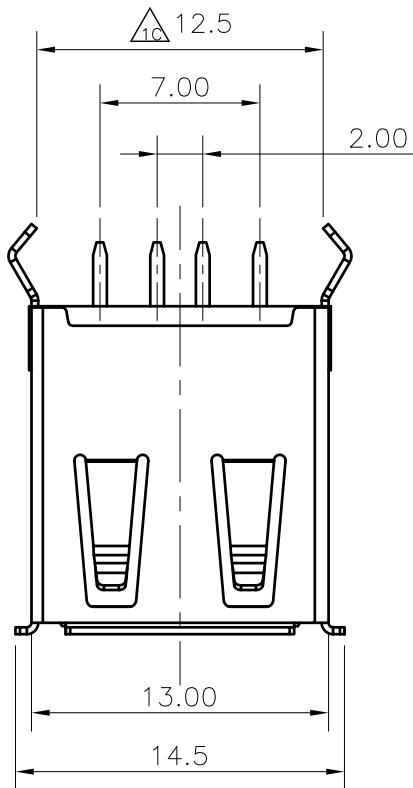


RoHS COMPLIANT



PCB LAYOUT/TOP VIEW

※凡標註△記號者，為品管檢驗之尺寸。

MATERIALS:  
 HOUSING: Thermoplastic,UL 94V-0.  
 CONTACTS: Phosphor Bronze.  
 PLATING:  
 (1)Gold Plating Over Nickel In Contact.  
 (2)Tin Plating Over Nickel In Solder Area.  
 SHIELD:Brass Plating Tin.(Bright Sn)  
 MECHANICAL:  
 DURABILITY: 1500 Mating Cycles.

P/N:  
 6100C31000(Black,Contact Area : 30u"min Gold)  
 6100C31010(Black,Contact Area : 6u"min Gold)  
 6100C31030(Black,Contact Area : 30u"min Gold)  
 6100C21030(White,Contact Area : 30u"min Gold)

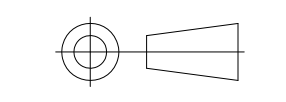
設計DR. Marco 2011/07/19	核准APPD. Jerry 2011/07/19
------------------------------	--------------------------------

版本說明	REVISION NOTE
----依E302-1107015新增白色規格,將開口尺寸變更為7.2----	

容許公差	TOLERANCE
.XXX	±0.10
.XX	±0.25
.X	±0.38
X	±0.50
ANG	±3°

品名	USB A TYPE CONNECTOR
ARTICLE	

圖號	6100C31000
DWG NO.	



單位 UNIT	比例 SCALE	張數 SHEET	版本 REV.
mm	1/3	1/1	C