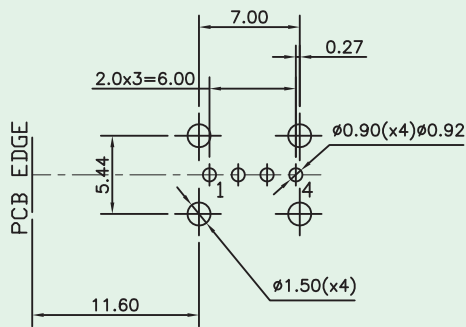
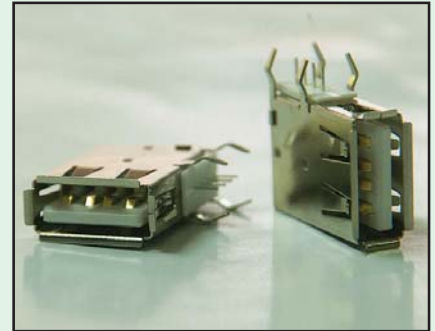
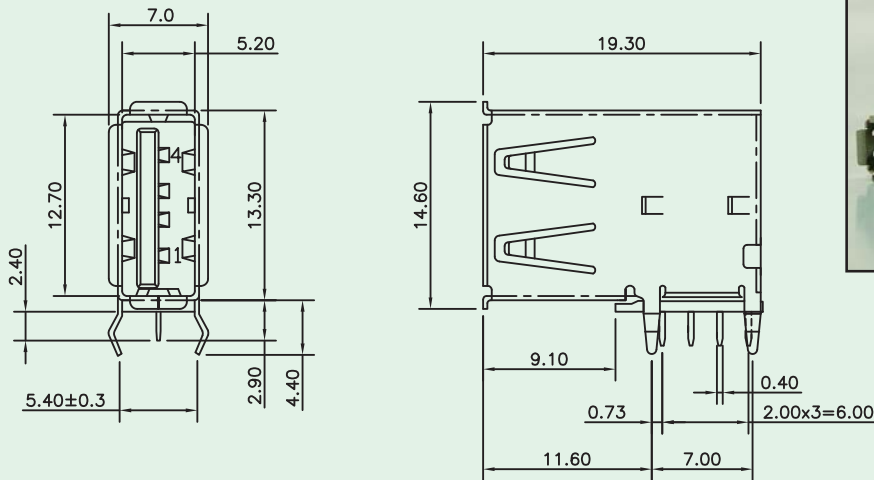




# USB-A Connector (Upright Type)

**KINSUN**



PCB LAYOUT/TOP VIEW

## Electrical Characteristics:

Voltage Rating : 30V AC  
Current Rating : 1.5 A  
Insulation Resistance : 1000 M $\Omega$  Min.  
Contact Resistance : 20 m $\Omega$  Max.  
Dielectric Withstanding Voltage : 500V AC  
Temperature Range : -40°C to +105°C

## Materials

- **Plastic Housing** : Engineering Thermoplastic.  
Flammability Rating UL 94V-0.
- **Contacts** : Phosphor Bronze.
- **Plating** : Gold Plating Over Nickel In Contact Area.  
Tin Plating Over Nickel In Solder Area.
- **Shield** : Brass Plating Nickel.



## Ordering Information

# 6100 - V Series