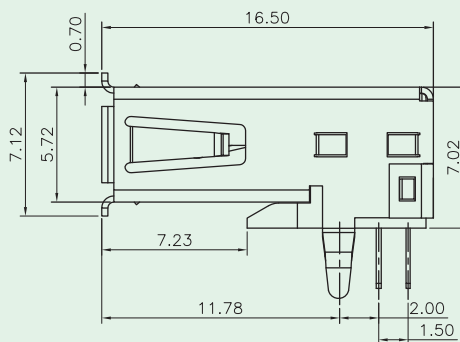
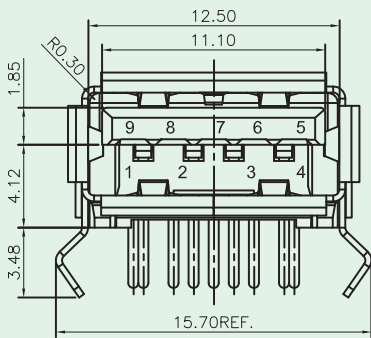
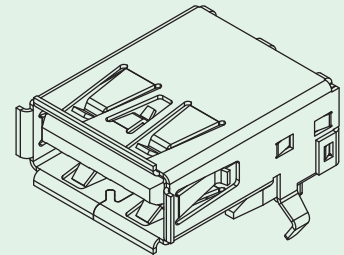
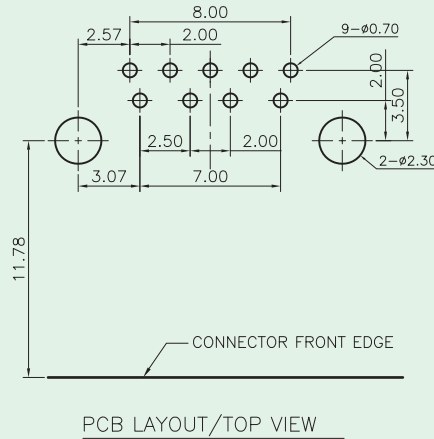
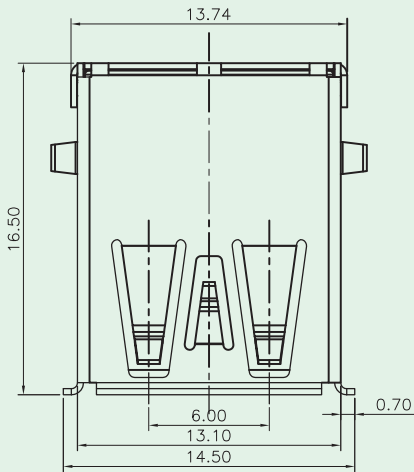




USB 3.0 Standard-A Receptacle (Side Entry Dip type)

KINSUN



Electrical Characteristics :

Voltage Rating :	30V AC
Current Rating :	1.8 AMP
Insulation Resistance :	100M Ω Min.
Contact Resistance :	30m Ω Max.
Dielectric Withstanding Voltage :	100V AC
Temperature Range :	-55 $^{\circ}$ C to +85 $^{\circ}$ C

Materials

- **Plastic Housing** : Engineering Thermoplastic.
Flammability Rating UL 94V-0.
- **Contacts** : Phosphor Bronze.
- **Plating** : Gold Plating Over Nickel In Contact.
Tin Plating Over Nickel In Solder Area.
- **Shield** : Brass Plating Nickel.



Ordering Information

6105 - A Series

Series No.

A : Standard