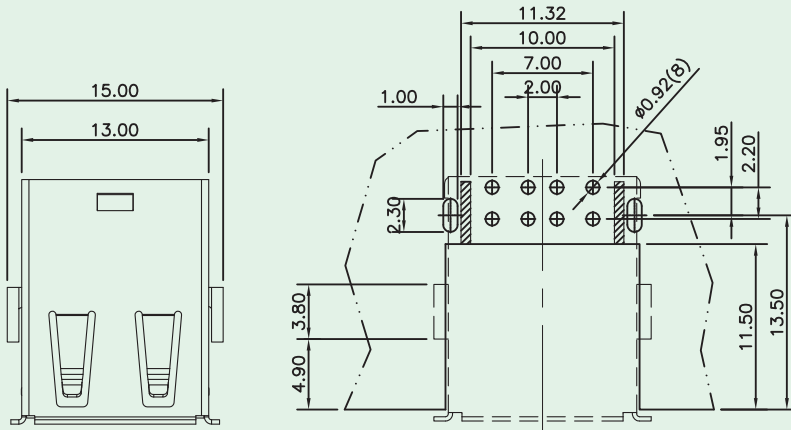


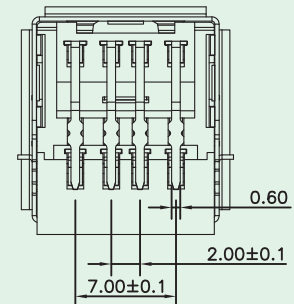
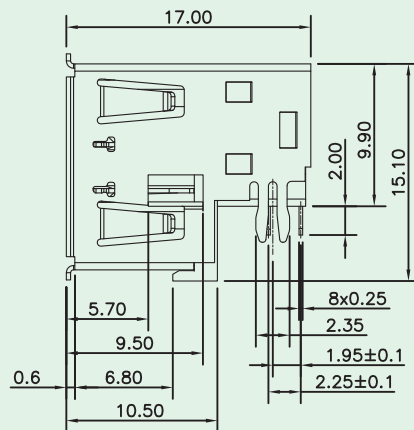
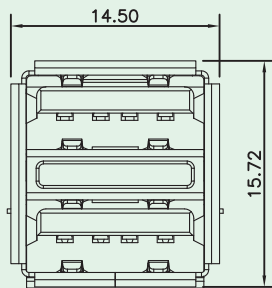
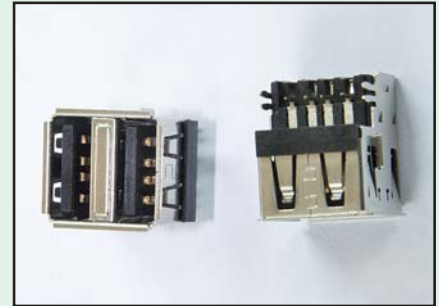


## Dual USB-A Connector (Side Entry, Embedded)

KINSUN



PCB LAYOUT/TOP VIEW



Electrical Characteristics:

Voltage Rating : 30V AC  
Current Rating : 1.5 A  
Insulation Resistance : 1000 M $\Omega$  Min.  
Contact Resistance : 30 m $\Omega$  Max.  
Dielectric Withstanding Voltage : 500V AC  
Temperature Range : -20°C to +85°C

### Materials

- **Plastic Housing** : Engineering Thermoplastic.  
Flammability Rating UL 94V-0.
- **Contacts** : Phosphor Bronze.
- **Plating** : Gold Plating Over Nickel In Contact Area.  
Tin Plating Over Nickel In Solder Area.
- **Shield** : Brass Plating Nickel.



### Ordering Information

**6121 - A Series**