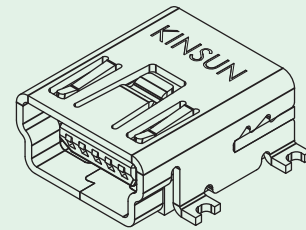
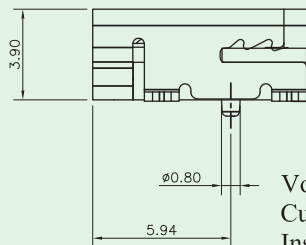
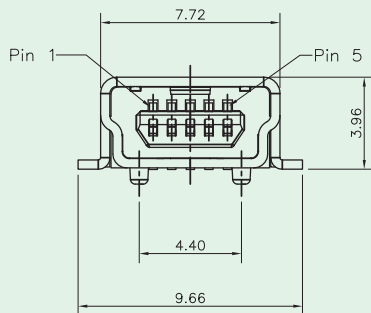
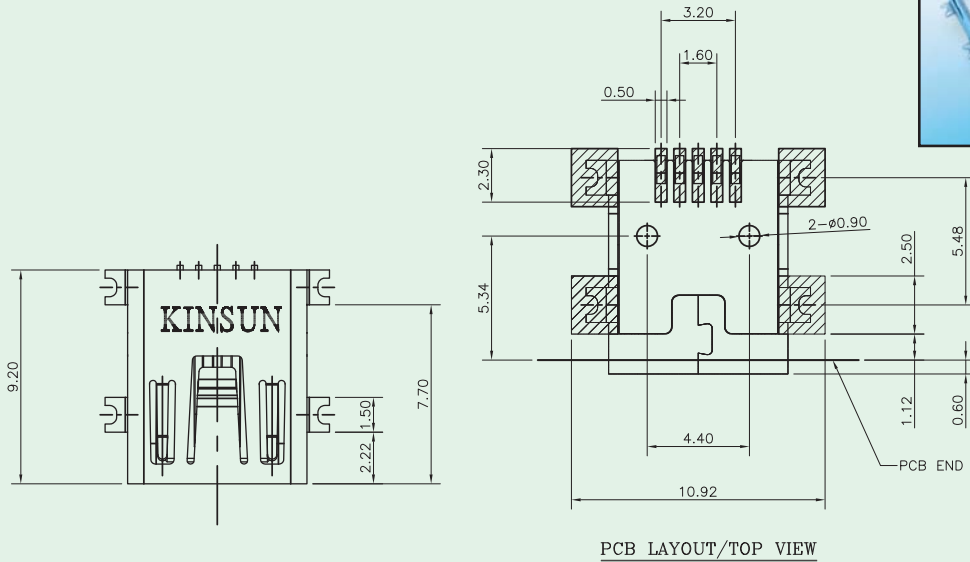




Mini USB Connector B Type (Side Entry, 5Pin, SMT)

KINSUN



Voltage Rating : 30V AC
 Current Rating : 1.5AMP
 Insulation Resistance : 100 MΩ Min
 Contact Resistance : 50 mΩ Max
 Dielectric Withstanding Voltage : 100V AC

Materials

- **Plastic Housing** : Engineering Thermoplastic.
Flammability Rating UL 94V-0.
- **Contacts** : Phosphor Bronze.
- **Plating** : Gold Plating Over Nickel In Contact Area.
Tin Plating Over Nickel In Solder Area.
- **Shield** : Steel Plating Tin. (Matte Sn)



Ordering Information

6130 - A Series

Series No.

A : Side Entry, SMT