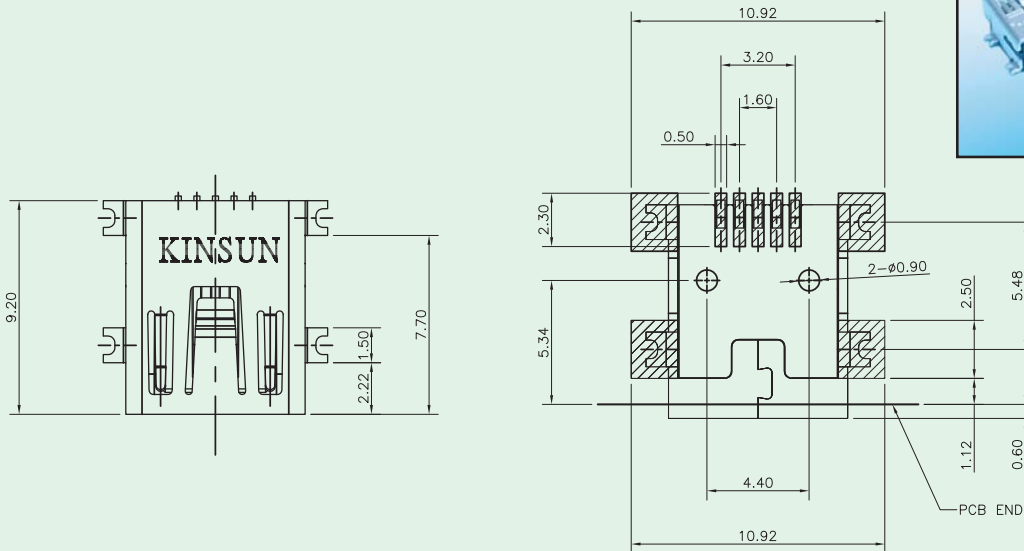


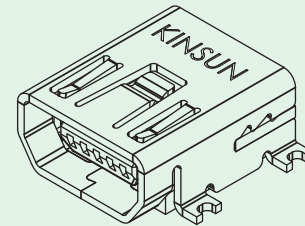
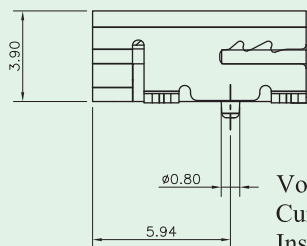
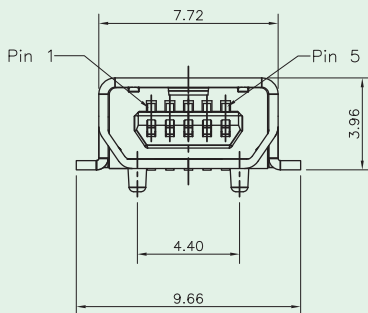


Mini USB Connector AB-Type (Side Entry, 5Pin, SMT)

KINSUN



PCB LAYOUT/TOP VIEW



Voltage Rating : 30V AC
Current Rating : 1.5AMP
Insulation Resistance : 100 M Ω Min
Contact Resistance : 50 m Ω Max
Dielectric Withstanding Voltage : 100V AC

Materials

- **Plastic Housing** : Engineering Thermoplastic.
Flammability Rating UL 94V-0.
- **Contacts** : Phosphor Bronze.
- **Plating** : Gold Plating Over Nickel In Contact Area.
Tin Plating Over Nickel In Solder Area.
- **Shield** : Steel Plating Tin. (Matte Sn)



Ordering Information

6140 - A Series

Series No.

A : Side Entry, SMT