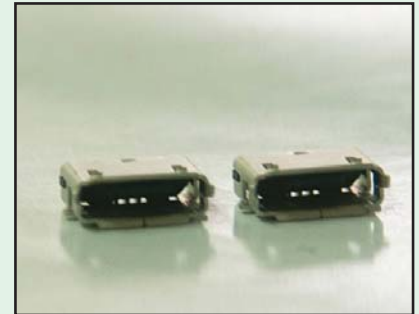
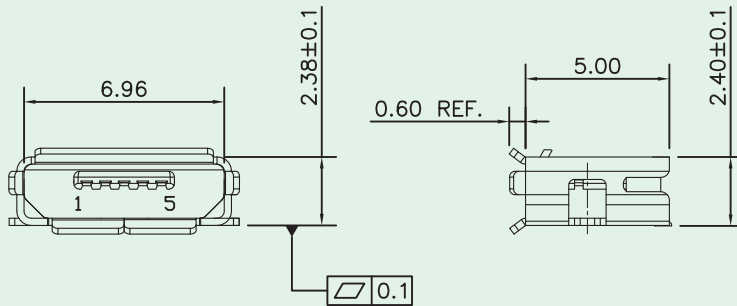
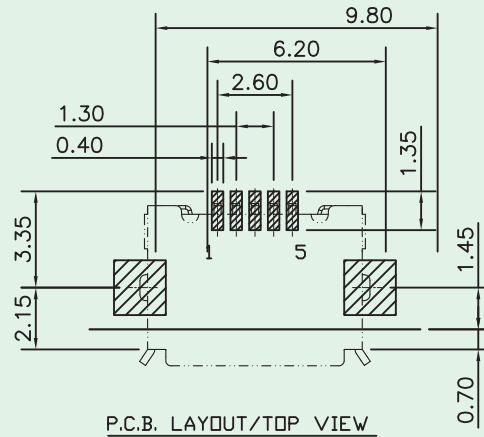
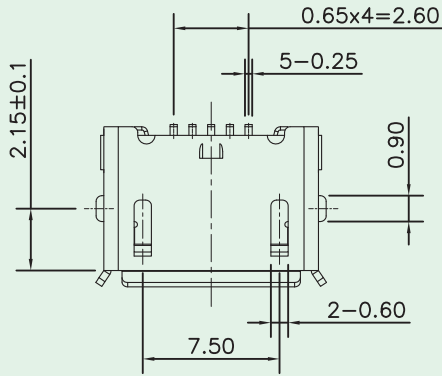




USB 2.0 Micro-B Receptacle

KINSUN



Voltage Rating : 5V AC
 Current Rating : 1.8 A
 Insulation Resistance : 1000 MΩ Min.
 Contact Resistance : 30 mΩ Max.
 Dielectric Withstanding Voltage : 100V AC
 Temperature Range : -30°C to +85°C

Materials

- **Plastic Housing** : Engineering Thermoplastic.
Flammability Rating UL 94V-0.
- **Contacts** : Phosphor Bronze.
- **Plating** : Gold Plating Over Nickel In Contact Area.
Tin Plating Over Nickel In Solder Area.
- **Shield** : Steel Plating Tin.



Ordering Information

6145 - H Series

Series No. _____ H : Side Entry, SMT