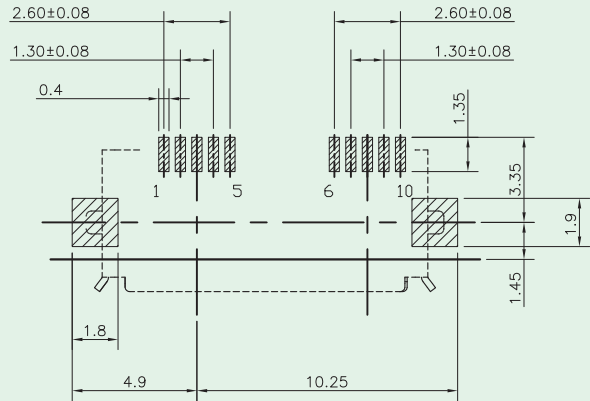
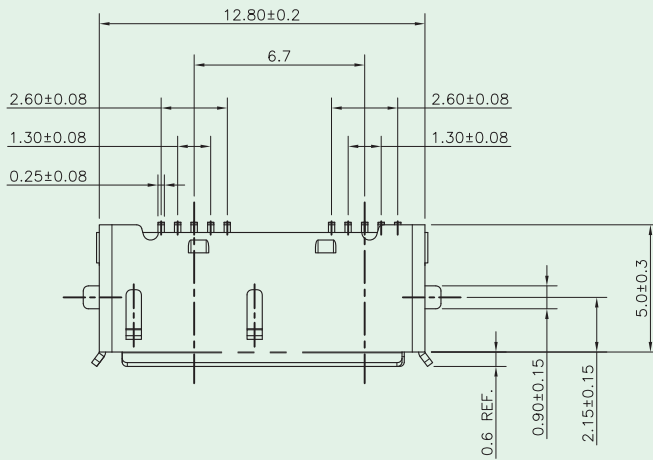
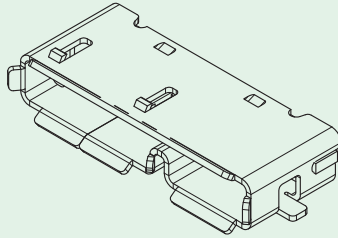


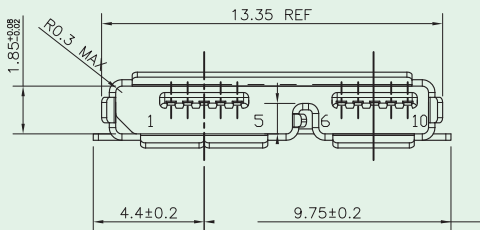


# USB 3.0 Micro-AB Receptacle

# KINSUN



PCB LAYOUT/TOP VIEW



### Electrical Characteristics :

Voltage Rating :	30V AC
Current Rating :	1.8 AMP
Insulation Resistance :	100MΩ Min.
Contact Resistance :	30mΩ Max.
Dielectric Withstanding Voltage :	100V AC
Temperature Range :	-55°C to +85°C

## Materials

- **Plastic Housing** : Engineering Thermoplastic.  
Flammability Rating UL 94V-0.
- **Contacts** : Phosphor Bronze.
- **Plating** : Gold Plating Over Nickel In Contact Area.  
Tin Plating Over Nickel In Solder Area.
- **Shield** : Brass Plating Tin. (Matte Sn)



## Ordering Information

# 6146 - H Series

Series No.

H : Side Entry, SMT