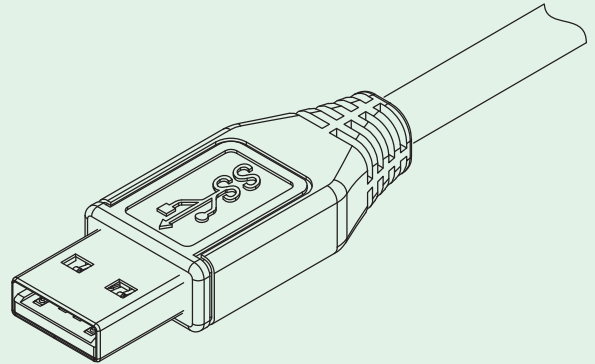
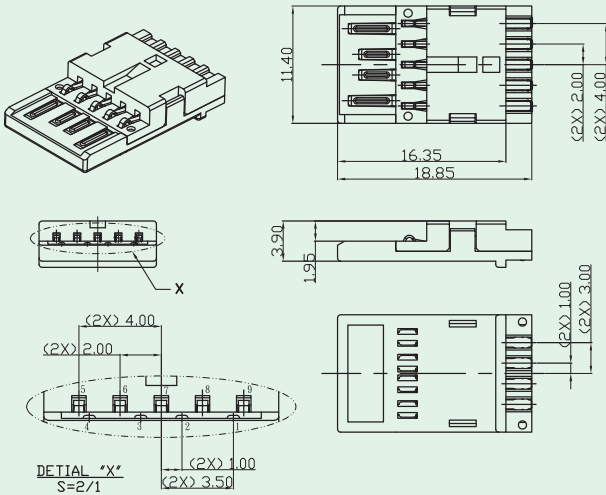




# USB 3.0 Cable Assembly (A-type Plug)

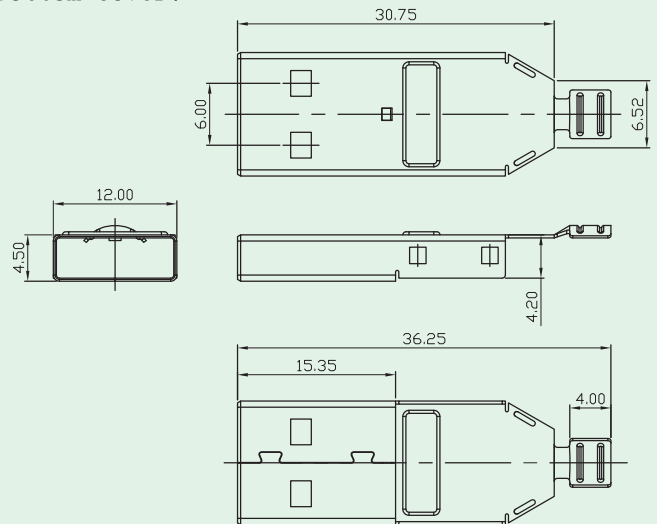
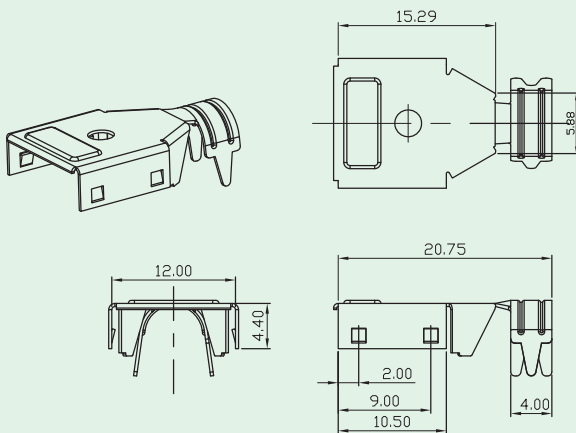
KINSUN

Connector:



Bottom Cover:

Top Cover:



## Materials

- **Plastic Housing** : Engineering Thermoplastic.  
Flammability Rating UL 94V-0.
- **Contacts** : Phosphor Bronze.
- **Plating** : Gold Plating Over Nickel In Contact Area.  
Tin Plating Over Nickel In Solder Area.
- **Shield** : Brass Plating Nickel.



## Ordering Information

# 6152 Series