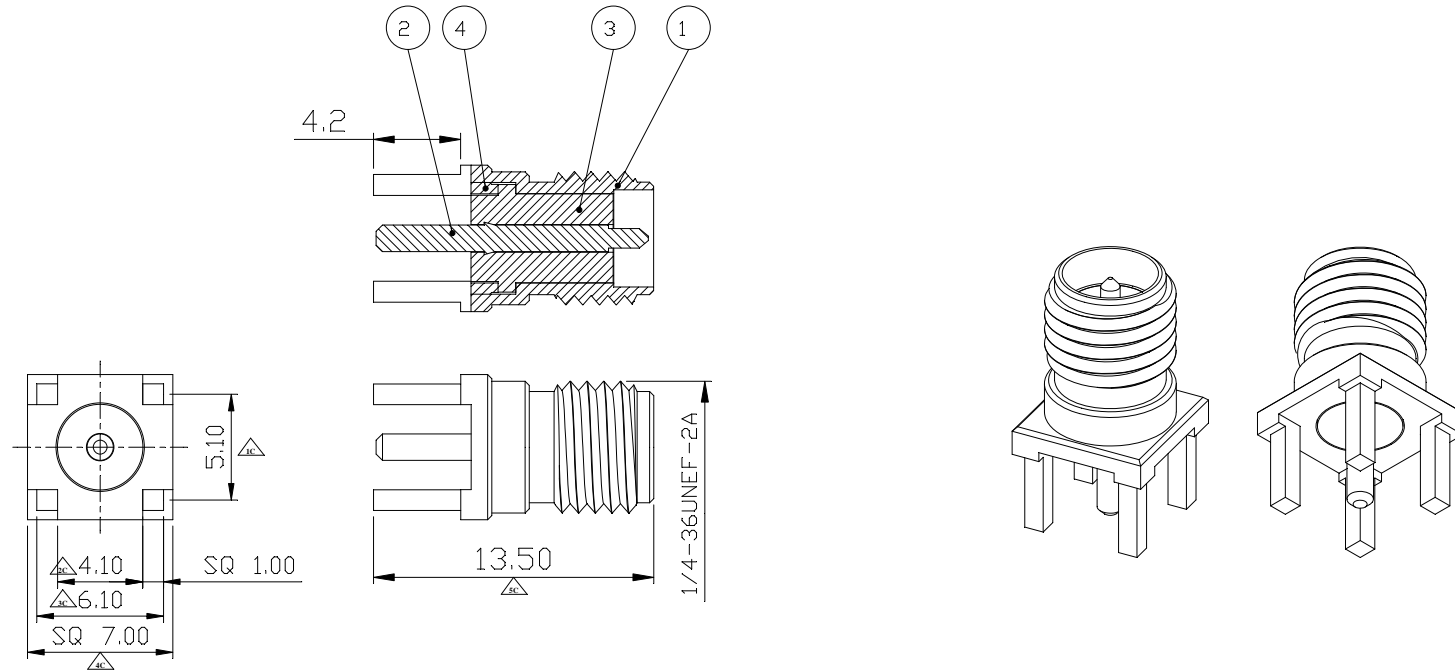


SMA Jack Straight Reverse for PCB MOUNT

RoHS COMPLIANT



※標註 △符號為重點檢驗尺寸

NO	Description	Q'ty	Material	Finish
4	Press it washer(W-015)	1	Brass	Gold
3	Dielectric(T-00017)	1	Teflon	None
2	Pin(C-00017-PB)	1	Phos Bronze	Gold
1	Body(B-00018-1)	1	Brass	Gold

2010-04-29 | 6477010200變更6472201201

設計DR. Hayato 2010/04/29	核准APPD. Jerry 2010/04/29
-------------------------------	--------------------------------

容許公差	TOLERANCE
.XXX	±0.05
.XX	±0.10
.X	±0.25
X	±0.38
ANG	±3°

品名 ARTICLE	SMA F/S/R P.C.B Mount
圖號 DWG NO.	6472201201
單位 UNIT	mm
比例 SCALE	4/1
張數 SHEET	1/1
版本 REV.	A

