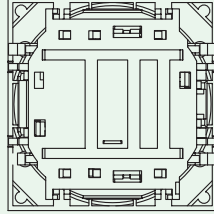
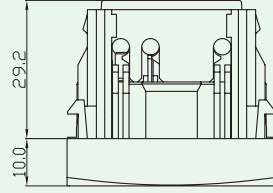
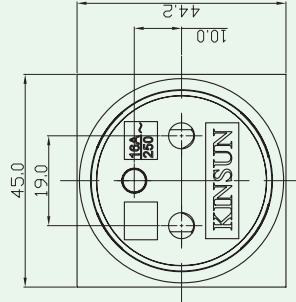
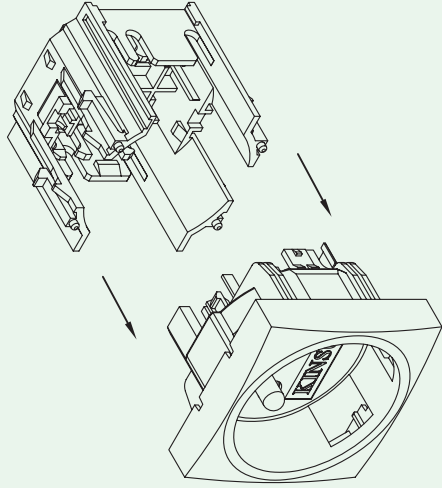




European Socket

KINSUN



Materials

- Housing : Engineering thermoplastic
Flammability Rating UL 94V-0.
- Power Pin : Brass.
- IDC Pin : Phosphor Bronze.



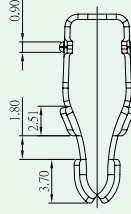
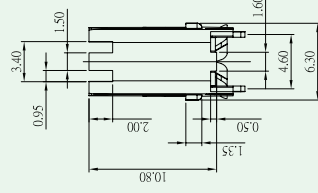
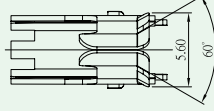
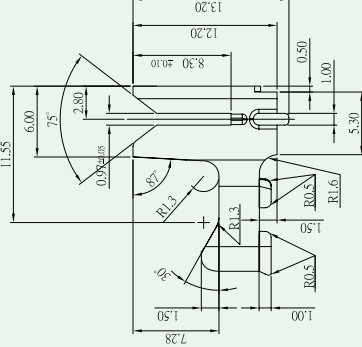
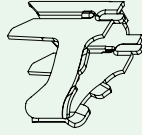
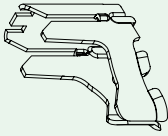
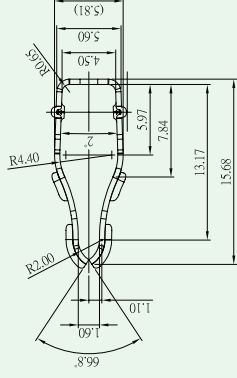
Ordering Information

4501 - Series



Stamping Parts For European Socket

KINSUN



Materials

- Materials : Engineering thermoplastic



Ordering Information

S4501 Series