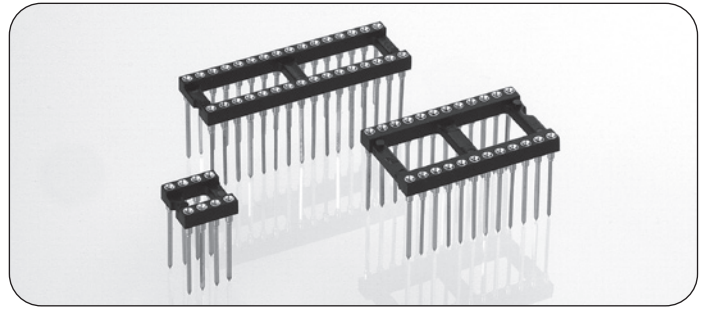


Solderless wire-wrap terminals are firmly fitted in the insulator body to withstand torque of wrapping tool

Technical Specs:

Insulator: Black glass filled polyester PBT-GF30-FR
 Flammability: UL 94V-O
 Sleeve: Brass CuZn36Pb3 (C36000)
 Contact clip (4 finger): Beryllium copper (C17200)
 Accepted pin Ø: 0.40 to 0.56 mm
 Forces: (polished steel gauge Ø 0.43 mm)
 - Insertion 2 N typ.
 - Withdrawal 1 N typ.
 Mechanical life: min 100 cycles
 Rated current: 1 A
 Contact resistance: max 10 mΩ
 Dielectric strength: min 1000 V_{RMS}

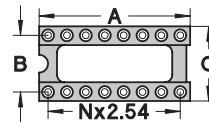
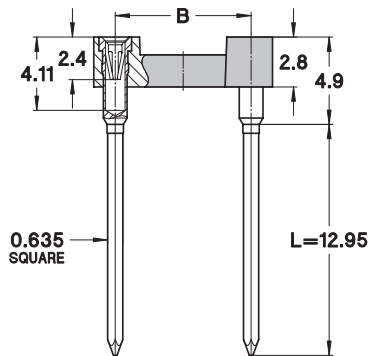


Ordering information

PP Plating code	Sleeve	Clip
91	Tin	Gold 0.25 µm
93	Tin	Gold 0.75 µm
99	Tin	Tin

Other plating on request see page 146 for plating specs

Standard Wire-wrap socket with contact length for 3-level wrapping Series 123-...



No. of poles	A	B	C	See page 100	Order Codes
10	12.6	5.08	7.6	Fig. 1	123-PP-210-41-001001
4	5.0	7.62	10.1	Fig. 2	123-PP-304-41-001001
6	7.6	7.62	10.1	Fig. 3	123-PP-306-41-001001
8	10.1	7.62	10.1	Fig. 4	123-PP-308-41-001001
10	12.6	7.62	10.1	Fig. 5	123-PP-310-41-001001
12	15.2	7.62	10.1	Fig. 6	123-PP-312-41-001001
14	17.7	7.62	10.1	Fig. 7	123-PP-314-41-001001
16	20.3	7.62	10.1	Fig. 8	123-PP-316-41-001001
18	22.8	7.62	10.1	Fig. 9	123-PP-318-41-001001
20	25.3	7.62	10.1	Fig. 10	123-PP-320-41-001001
22	27.8	7.62	10.1	Fig. 11	123-PP-322-41-001001
24	30.4	7.62	10.1	Fig. 12	123-PP-324-41-001001
28	35.5	7.62	10.1	Fig. 13	123-PP-328-41-001001
20	25.4	10.16	12.6	Fig. 14	123-PP-420-41-001001
22	27.8	10.16	12.6	Fig. 15	123-PP-422-41-001001
24	30.4	10.16	12.6	Fig. 16	123-PP-424-41-001001
28	35.5	10.16	12.6	Fig. 17	123-PP-428-41-001001
32	40.6	10.16	12.6	Fig. 18	123-PP-432-41-001001
10	12.7	15.24	17.7	Fig. 19	123-PP-610-41-001001
24	30.5	15.24	17.7	Fig. 20	123-PP-624-41-001001
28	35.5	15.24	17.7	Fig. 21	123-PP-628-41-001001
32	40.6	15.24	17.7	Fig. 22	123-PP-632-41-001001
36	45.7	15.24	17.7	Fig. 23	123-PP-636-41-001001
40	50.8	15.24	17.7	Fig. 24	123-PP-640-41-001001
42	53.3	15.24	17.7	Fig. 25	123-PP-642-41-001001
48	60.9	15.24	17.7	Fig. 26	123-PP-648-41-001001
50	63.5	15.24	17.7	Fig. 27	123-PP-650-41-001001
52	66.0	15.24	17.7	Fig. 28	123-PP-652-41-001001
50	63.5	22.86	25.3	Fig. 29	123-PP-950-41-001001
52	66.0	22.86	25.3	Fig. 30	123-PP-952-41-001001
64	81.2	22.86	25.3	Fig. 31	123-PP-964-41-001001

Option:

Other lengths for 1-level, 2-level or 4-level wrapping available on request

Replace **123-...** in order code by

- **121** for 1-level L = 6.6 mm
- **122** for 2-level L = 9.4 mm
- **124** for 4-level L = 16 mm

Due to technical progress, all the information provided is subject to change without prior notice

