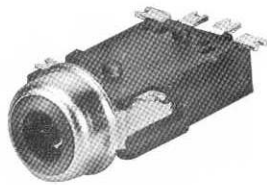


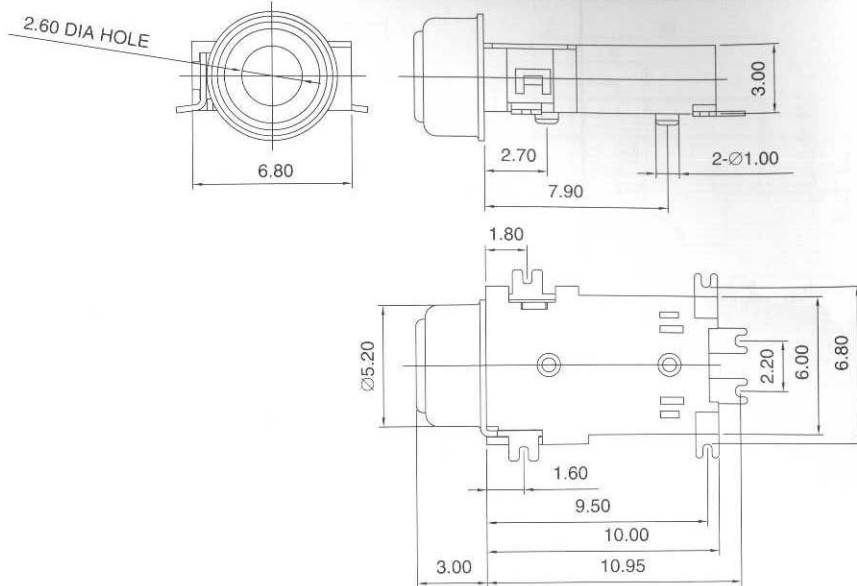
2.5Ø PHONE JACK

SCJ246 SERIES

Dimension (m/m)

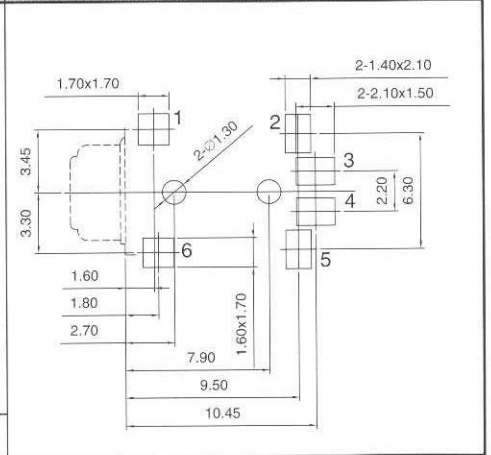
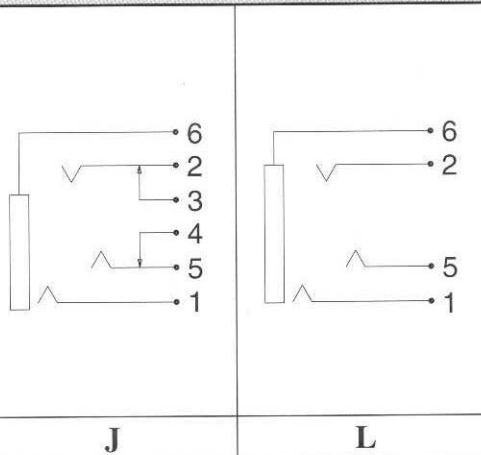


SCJ 246



Schematic Code

Pin Hole Layout (Jack Bottom View)



Feature

The SCJ246 series is designed for surface mounting terminal with low profile type.

Construction

- 1. Housing : Thermoplastic
- 2. Contact : Phosphor bronze
- 3. Terminal : Brass / Copper alloy

Specification

- 1. Withstanding voltage: AC 500V, 60Hz for 1 minute
- 2. Insulation resistance : 100MΩ (min.) at 500V DC
- 3. Contact resistance : 30mΩ (max.)
- 4. Insertion & Extraction force:
 - Initial : 0.4 to 2.0kgs
 - After life test : 0.3 to 2.0kgs
- 5. Life test : 5,000 cycles unloading (20-30 cycles per minute)
- 6. Humidity test is kept in 90-95%(RH) for 96 hours.

Ordering Information

SCJ246

- ① Series No.
- ② Bushing type : "R5" only (See page A-2 for details)
- ③ Bushing plating : "G" is standard
S : Silver G : Gold flash
- ④ Schematic Code No.:
J, L
- ⑤ Terminal plating ("S" is standard)
T : Tin S : Silver G : Gold flash
- ⑥ Nut option : " 0 " only
"0" : Without nut
- ⑦ Housing color code
B : Black (Standard)
Other colors are available
- ⑧ Special code
00: No special option



S. C. PRECISION INDUSTRIAL CO., LTD.