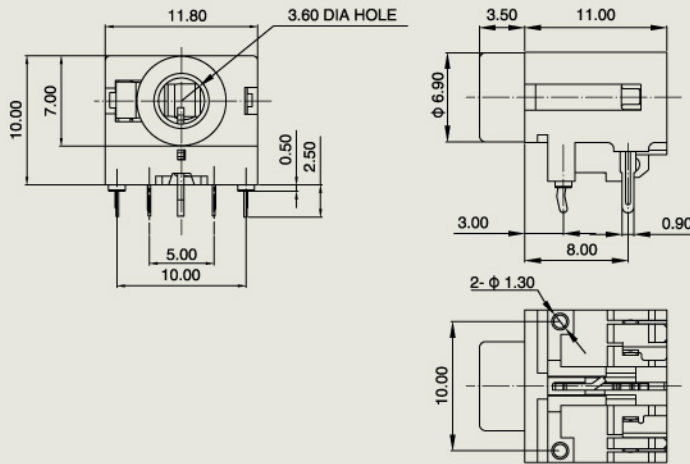
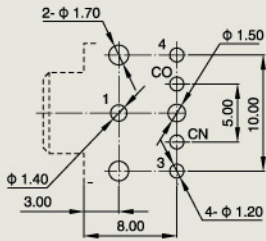


Pin Hole Layout (Jack Bottom View)

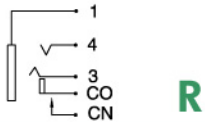
Dimension (m/m)

SCJ300 SERIES

SCJ300



Schematic Code

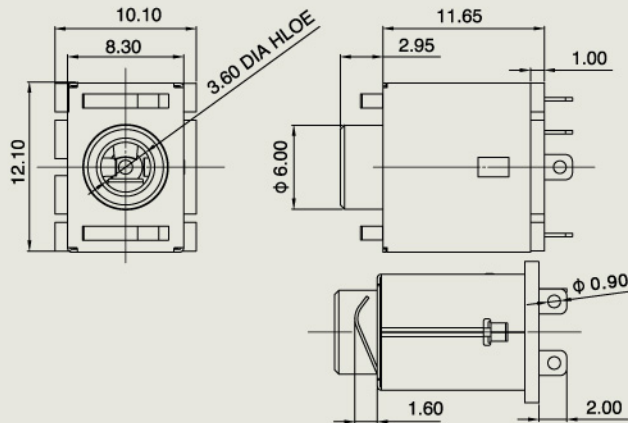
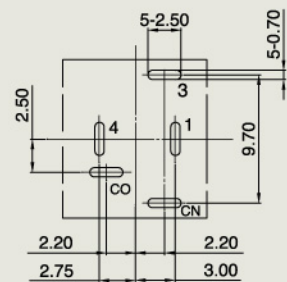


Pin Hole Layout (Jack Bottom View)

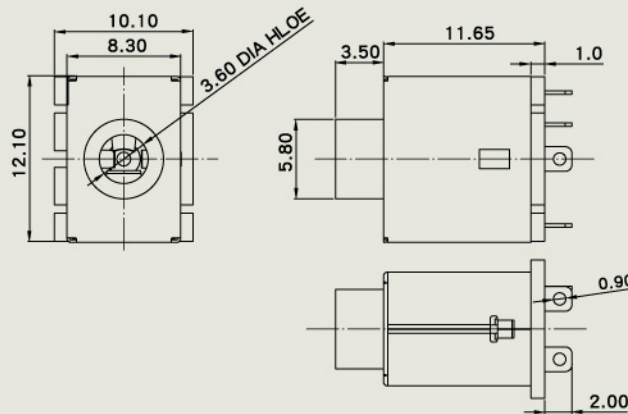
Dimension (m/m)

SCJ301 SERIES

SCJ301P0



SCJ301R6



Schematic Code

