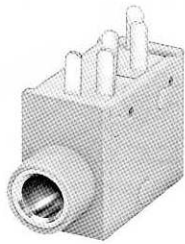


3.5Ø PHONE JACK

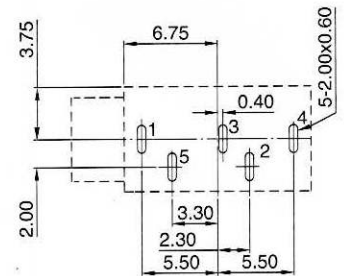
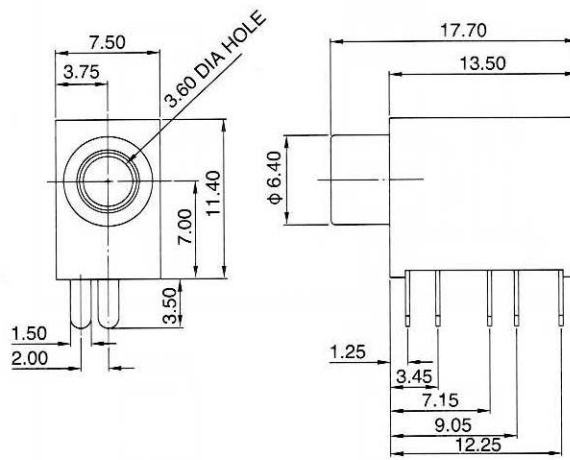
SCJ380 SERIES

Dimension (m/m)

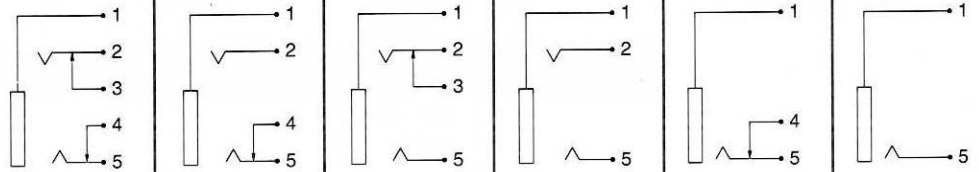
Pin Hole Layout
(Jack Bottom View)



SCJ 380R0



Schematic Code



U

V

W

X

Y

Z



S. C. PRECISION INDUSTRIAL CO., LTD.