
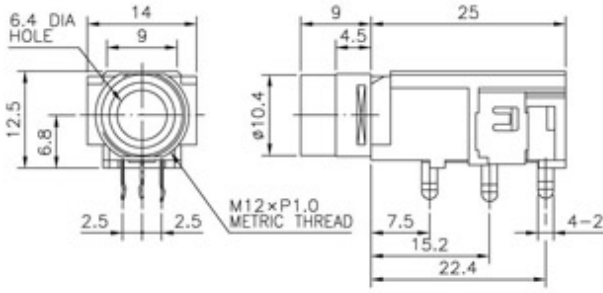
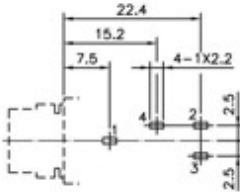

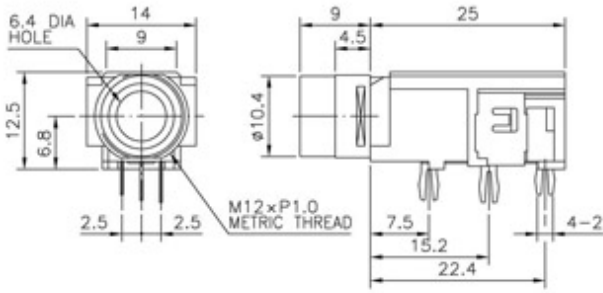

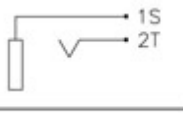
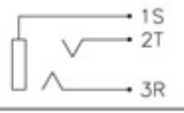
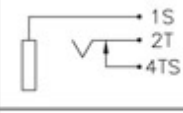
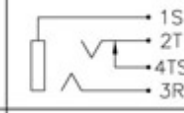

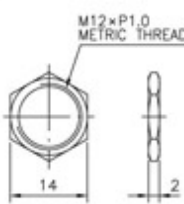
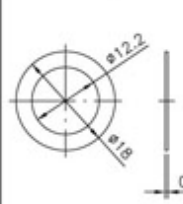
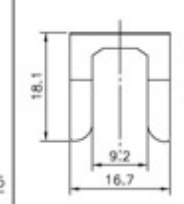
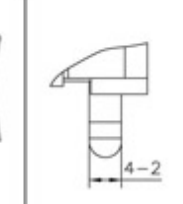
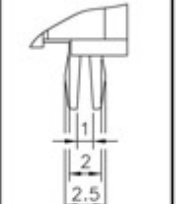


# 6.3Ø PHONE JACK

## SCJ630 SERIES

	P/N	Dimension (m/m)	Pin Hole Layout (Jack Bottom View)
	SCJ 630*****K0		
	SCJ 630*****H0		
	SCJ 630R0*****H0		
	Schematic Code		
		<b>A</b>	<b>B</b>
		<b>C</b>	<b>D</b>
		<b>Mounting Option</b>	
	SCJ 630P5*****H0		
			
			
		<b>Nut</b>	<b>Washer</b>
		<b>Snap Holder</b>	<b>Kink Type</b>
		<b>Hook Type</b>	

### Feature

The SCJ630 series have two kinds of panel/chassis mounting with nut or with quick snap holder, mounting solder tail option also have kink type and hook type.

### Construction

1. Housing : Thermoplastic
2. Contact : Phosphor bronze
3. Terminal : Brass / Copper alloy

### Specification

1. Withstanding voltage : AC 500V, 60Hz for 1 minute
2. Insulation resistance : 100MΩ (min.) at 500V DC
3. Contact resistance : 30mΩ (max.)
4. Insertion & Extraction force :  
Initial : 0.5 to 3.0kgs  
After life test : 0.3 to 3.0kgs
5. Life test : 5,000 cycles unloading(20-30 cycles per minute)
6. Humidity test is kept in 90-95%(RH) for 96 hours.

### Ordering Information

**SCJ630** □□ □□ □□ □□ □□ □□ □□ □□  
① ② ③ ④ ⑤ ⑥ ⑦ ⑧

- ① : Series No.
- ② : Bushing type R0, P5 (See page C-3 for details)
- ③ : Metal ring plating ("N" is standard)  
N : Nickel  
G : Gold flash  
0 : No plating (no metal ring)
- ④ : Schematic A, B, C, D (See above drawing)
- ⑤ : Terminal plating ("S" is standard)  
T : Tin S : Silver G : Gold flash
- ⑥ : Nut & washer option (See page C-4)  
0 : Without nut & washer  
1 : With nut (M12×P1.0) & washer  
6 : With snap holder
- ⑦ : Housing color option  
B : Black (Standard) ;Other colors option are available
- ⑧ : Special option  
K0 : Kink type (solder tail)  
H0 : Hook type (solder tail)

**S. C. PRECISION INDUSTRIAL CO., LTD.**