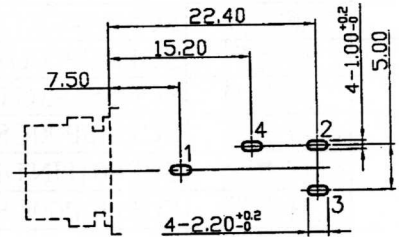
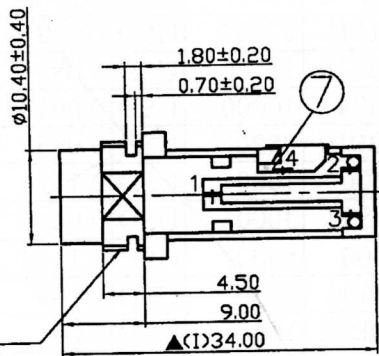
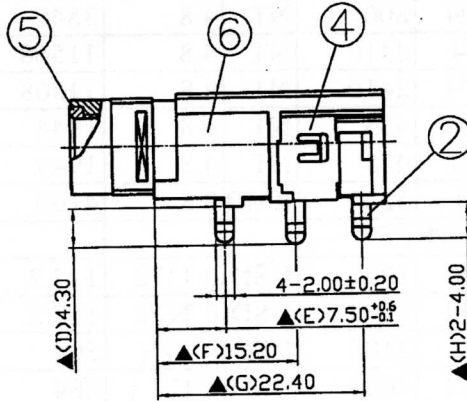
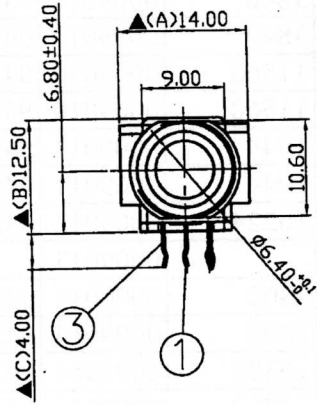
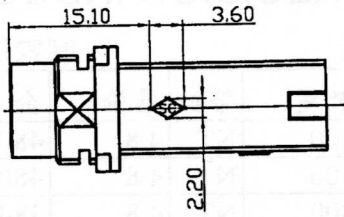
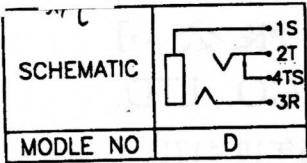


0220E/10/1



Pin Hole Layout
(Jack Bottom View)



RoHS
Compliant

7.	Cover	PBT	1	Black Color
6.	Housing	PBT	1	Black Color
5.	Bushing	Brass	1	Nickel Plated
4.	Tip Shunt	0.3T Brass	1	Silver Plated
3.	Ring Spring	0.3T Phosphor Bronze	1	Silver Plated
2.	Tip Spring	0.4T Phosphor Bronze	1	Silver Plated
1.	Earth Terminal	0.3T Phosphor Bronze	1	Silver Plated
NO	Description	Material	Q'TY	Finish

SPECIFICATIONS:
 Contact Resistance : 30mΩ max
 Insulation Resistance : 100MΩ min. at DC 500V
 Dielectric Withstanding Voltage: AC 500V for one minute
 Remark: ▲: The Most Important Dimension



S.C. PRECISION INDUSTRIAL CO., LTD.

DATE	DWN	CHKD	APVD	MANAGER
01.24.2008	阮雲軍	馬雲峰	李國強	李國強

PART NAME : 6.3φ PHONE JACK	PART NUMBER: SCJ630R0NDS0BKOG	VERSION: 1.0
TOLERANCE : ±0.3mm UNLESS OTHERWISE SPECIFIED	UNIT: mm	SCALE: 1/1