
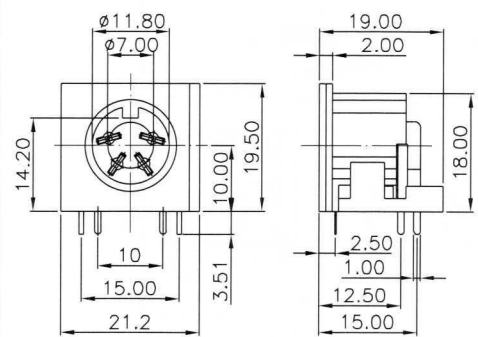
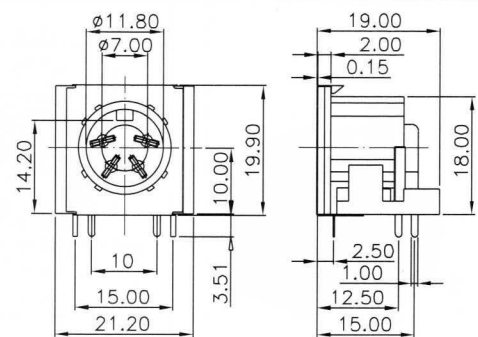
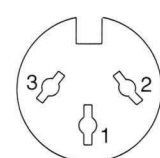
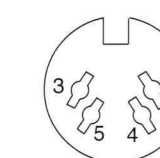
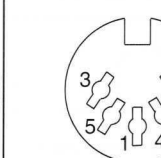
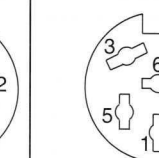
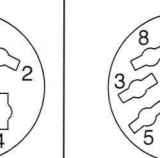
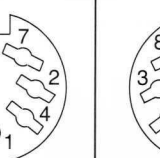
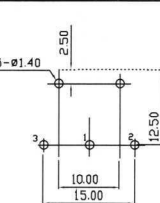
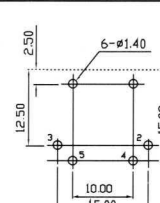
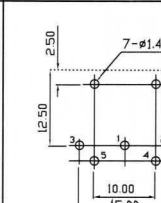
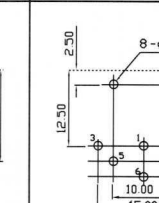
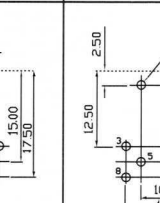
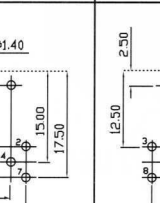

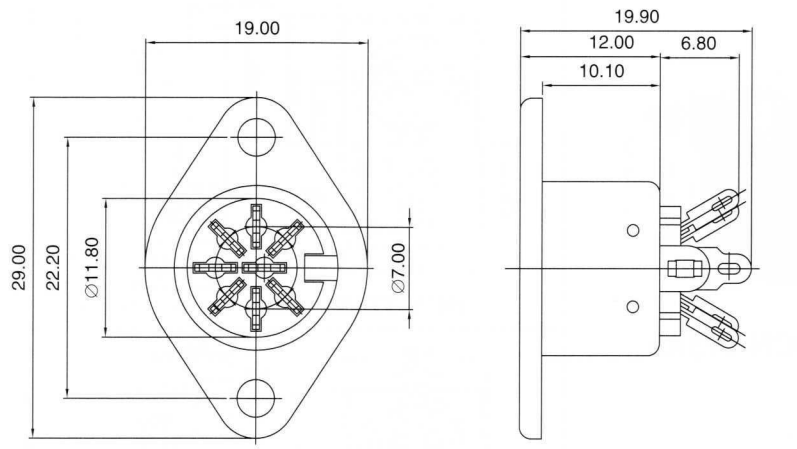
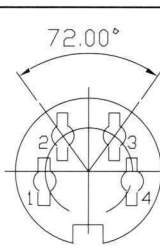
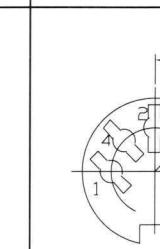
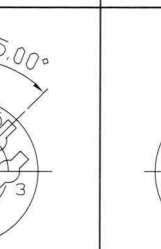
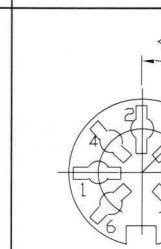
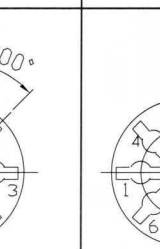


DIN JACK

SCN600 SERIES	Dimension (m/m)	
 <p>SCN 600**0</p> <p>SCN 600**S</p>	 <p>SCN 600**0</p>	 <p>SCN 600**S</p>

Circuit	3P	4P	5P	6P	7P	8P
Arrangement of Contact						
P.C.B Layout Jack Bottom View						
P/N	SCN 600S3	SCN 600S4	SCN 600S5	SCN 600S6	SCN 600S7	SCN 600S8

SCN610 SERIES	Dimension (m/m)	
 <p>SCN 610</p>		

PIN	4P	5P	6P	7P	8P
Arrangement of Contact					
P/N	SCN 610S4	SCN 610S5	SCN 610S6	SCN 610S7	SCN 610S8



S. C. PRECISION INDUSTRIAL CO., LTD.

DIN JACK

Feature:

The specification covers the requirements for **DIN JACKS** intended for computers, computer peripherals, medical instrument and communication equipments.

Construction:

● Insulator: PBT(Black,UL94V-0) ● Contact: Phosphor bronze ● Metal Shell : Copper alloy

Specification:

1. Rating: 100VAC 1A(max.)/12VDC 2A(max.)
2. Withstanding voltage: AC500V 60Hz for 1 minute
3. Insulation resistance(initial): 100M Ω (min.) at 500VDC
4. Contact resistance(initial): 30m Ω (max.) at AC 100mA(max.) 1KHz
5. Insertion & Extraction force: 4.5kgs(Initial) ; 0.9 ~ 3.0kgs(Extraction force)

S C N G

① ② ③ ④ ⑤ ⑥ ⑦ ⑧ ⑨

- ① Series No.:
- ② Type: "S" : Receptacle
- ③ Contact No.: "3 ~ 9" : 3P ~ 9P; ("A ~ E" for SCN560 only)
- ④ Contact plating: "T" : Tin ; "G" : Gold flash(Standard)
Grounding plating: "T" : Tin ; "G" : Gold flash ; "N" : Nickel (Standard)
(For SCN530/568/570/571/573/771/773)
- ⑤ Terminal plating: "T" : Tin ; "G" : Gold flash ; "S" : Silver(Standard)
- ⑥ Shell plating: "0" : Without shell ; "T": Tin ; "N" : Nickel(Standard)
- ⑦ Housing color option: "B" : Black (Standard) ; "G" : Green ; "L":Purple ; others color is available
- ⑧ Special option:(⑥ ~ ⑧"000000":No special option for SCN570/571/600/610)
 - (i) For SCN530/551/553/554/556/560/563/564/568/573/781/783/590/591
"000" : No special option (For SCN551/573/590/591 only)
"010" : Without grounding shield
"020" : With grounding shield
"001" : Flat type grounding terminal
"003" : Kink type grounding terminal
 - (ii) For SCN771/773
"001" : Shell's flat type terminal and Flat type grounding terminal
"002" : Shell 's flat type terminal and Hook type grounding terminal
"003" : Shell's kink type terminal and Flat type grounding terminal
"004" : Shell's kink type terminal and Hook type grounding terminal
"005" : Shell's hook type terminal and Hook type grounding terminal
- ⑨ "G" : For RoHS compliant