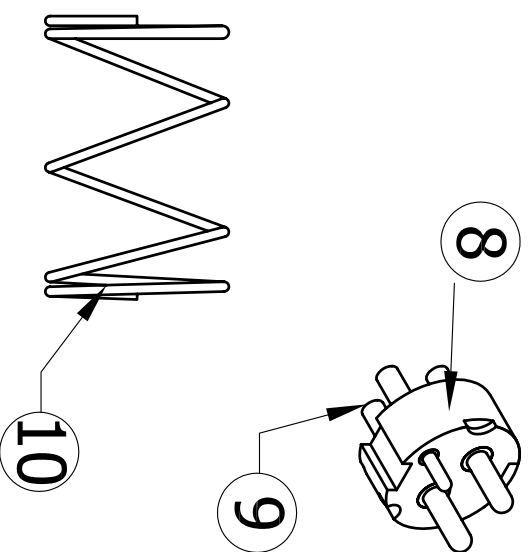


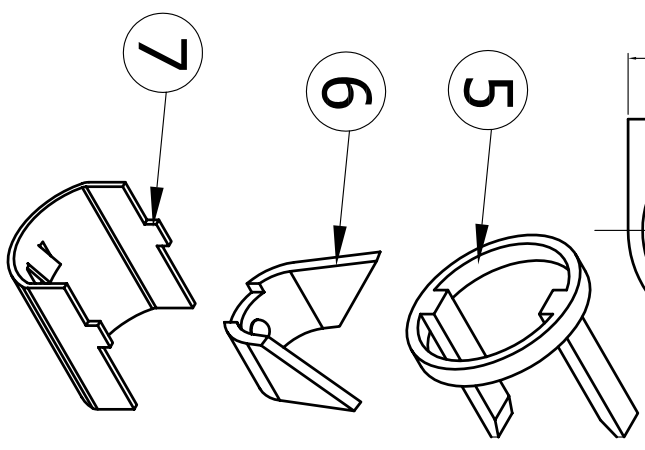
NO.	Description	Material	Q'TY	Finish
10.	Spring	Steel	1	
9.	Pin	Brass	3	Silver Plating
8.	Housing	PBT	1	Black Color
7.	Cap	Brass	1	Nickel Plating
6.	Cable Fixed	Brass	1	Tin plating
5.	Ring	POM	1	Black Color
4.	SR	PVC	1	Black Color
3.	Plastic Tube	ABS	1	Black Color
2.	Shell	Brass	1	Nickel Plating
1.	Plastic Cover	ABS	1	Black Color



 S.C. PRECISION INDUSTRIAL CO., LTD.	DATE	DWN	CHKD	APVD	MANAGER
	01.05.2012				

PART NAME : DIN PLUG	PART NUMBER:SCN780P3NS00000G	VERSION:3.0
TOLERANCE :±0.3mm UNLESS OTHERWISE SPECIFIED	UNIT:mm	SCALE:1/1

SPECIFICATIONS: Contact Resistance : 30mΩ max Insulation Withstand Voltage : AC 250V for one minute Remark: ▲: The Most Important Dimension	RoHS Compliant For Reference 僅供參考
---	--------------------------------------



CONTACT RESISTANCE : 30mΩ max
 INSULATION WITHSTAND VOLTAGE : AC 250V for one minute
 REMARK: ▲: The Most Important Dimension