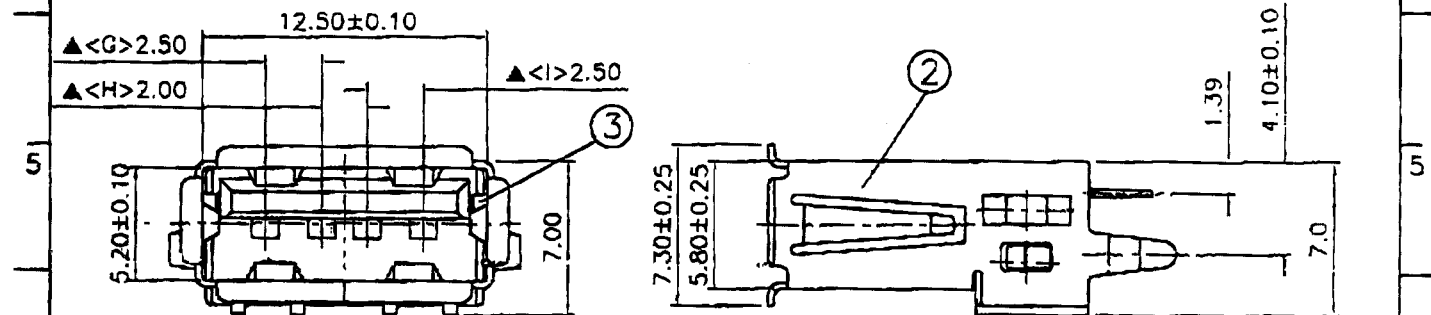


Pin Hole Layout
(Jack Bottom View)



SPECIFICATIONS:
 Contact Resistance: $\leq 30m\Omega$ max
 Insulation Resistance: $\geq 100M\Omega$ min. at DC 500V
 Dielectric Withstand Voltage: AC 500V for one minute
 Remark: ▲: The Most Important Dimension

3.	Housing	PBT+30%G, UL 94V-0	1	Frost White Color
2.	Shell	0.3T Copper Alloy	1	Nickel Plated
1.	Terminal	0.25T phosphor Bronze	4	Gold Flash Over 50u" <min.> Nickel, Tin Lead
NO	Description	Material	Q'TY	Finish



	S. C. PRECISION INDUSTRIAL CO., LTD.		DATE 11.06.2002	DWN 熊惠	CHKD 	APVD 2002.11.06	MANAGER
	PART NAME : USB A-TYPE SOCKET CONNECTOR		PART NUMBER : SCU101SFN0W0000		VERSION: 2.0		
TOLERANCE : $\pm 0.3mm$ UNLESS OTHERWISE SPECIFIED				UNIT: mm		SCALE: 1/1	

A B C D E