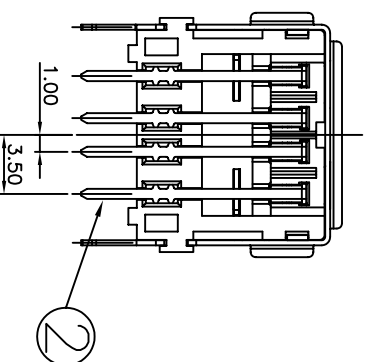
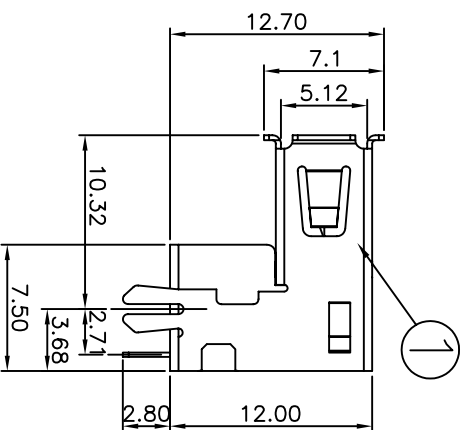
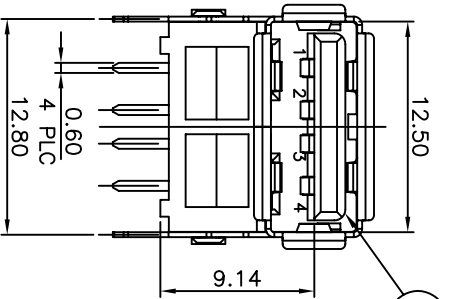


RECOMMEND P.C.B LAYOUT (THICKNESS 1.6mm)
(COMPONENT SIDE) TOLERANCE±0.05mm



3	Insulator	PBT+30%GF	1	White Color
2	Contacts	0.25T Bronze	4	Gold Plating On Contact Area
1	Shell	0.3T Brass	1	Nickel Plated
NO	Description	Material	Q'TY	Finish



S.C.PRECISION INDUSTRIAL CO., LTD.

DATE	DWN	CHKD	APVD	MANAGER
11.07.2014	謝齊輝			

PART NAME : USB A TYPE FEMALE DIP 90 PART NUMBER:SCU221RFGOW0000G

VERSION:1.0

TOLERANCE :±0.20mm UNLESS OTHERWISE SPECIFIED

UNIT:mm

SCALE:1/1

SPECIFICATIONS:

Contact Resistance:30MΩ Max
Insulation Resistance:100MΩ Max
Withstanding V01tane:500V DC
Insertion Force :3.75kg Max
Extraction Force:1.02kg Max
Remark: ▲: The Most Important Dimension

RoHS Compliant