

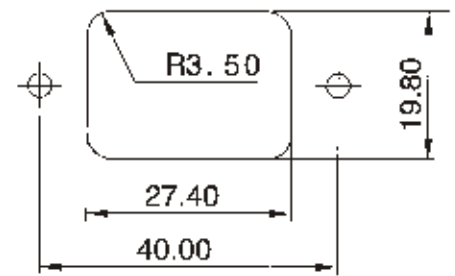
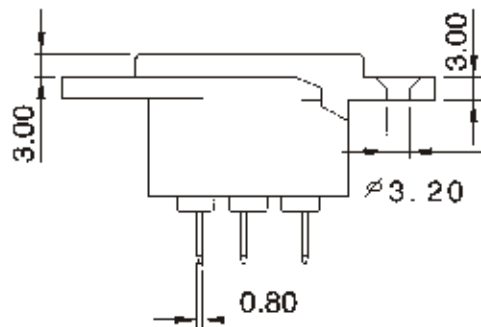
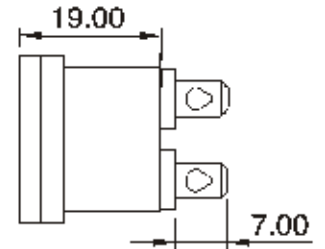
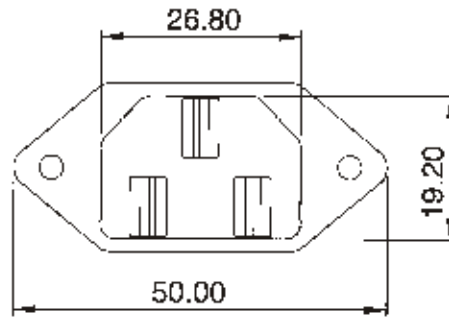
K241

SPECIFICATION

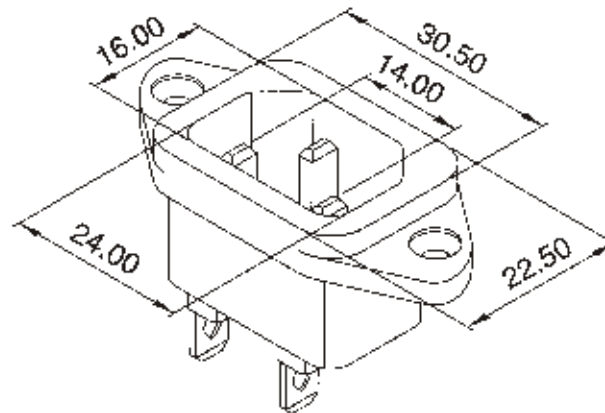
INSULATION RESISTANCE : 100MΩ AT 500V DC

DIELECTRIC STRENGTH : 2000V AC 1 minute

Body Material :P.B.T. UL 94V-0



PANEL CUT-OUT



TERMINAL		CODE
4.8mm (187") SOLDER /Q.D. TABS		- 1
4.0mm SOLDER TABS		- 2
2.5mm SOLDER TABS		- 2S
6.3mm (250") FAST-ON TABS		- 3

5A 250VAC



10A 250VAC

