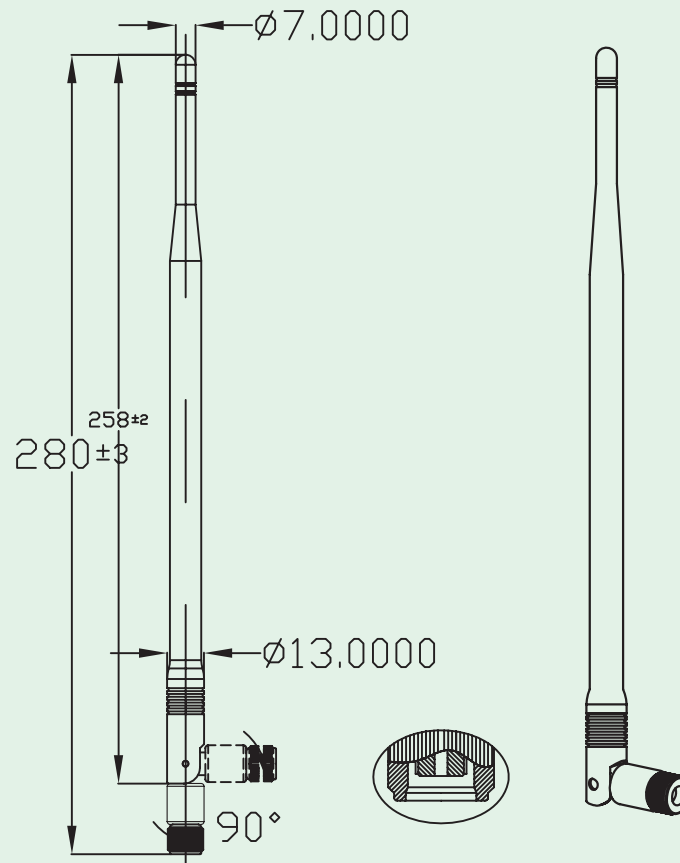




## 2.4 GHz 7 dBi Antenna

**KINSUN**



### Product Data:

**ROHS - Compliant**

#### ELECTRICAL :

- Frequency Range : 2.4 GHz
- Impedance : 50 ohm
- VSWR :  $\leq 2.0$
- Gain : 7 dBi
- Radiation : Omni
- Polarization : Linear

#### MECHANICAL :

- Antenna Housing : Engineering Plastics
- Color : Black
- Operating Temperature :  $-20^{\circ}\text{C} \sim +65^{\circ}\text{C}$
- Storage Temperature :  $-30^{\circ}\text{C} \sim +75^{\circ}\text{C}$
- Connector : SMA Male Reverse

### Part Number

#### Optional Connector

- SMA Male
- SMA Male Reverse

**6612A00100**

Part number changes as per different option