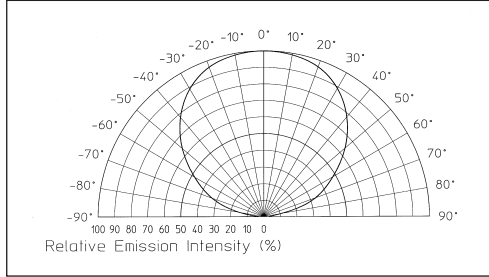


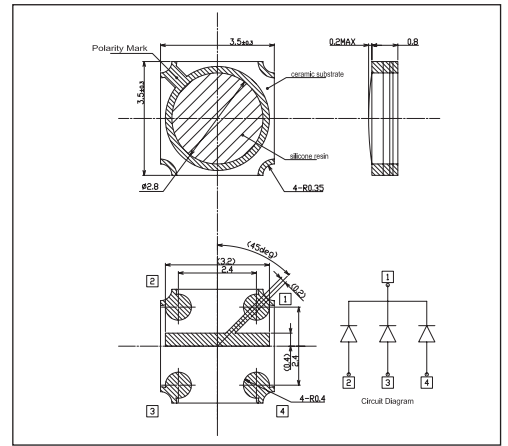
Characteristics

- Small 3in1 package
- High optical efficiency
- Toyoda Gosei InGaN core emitter
- Silicone encapsulation

Directive Characteristics (Ta=25°C)



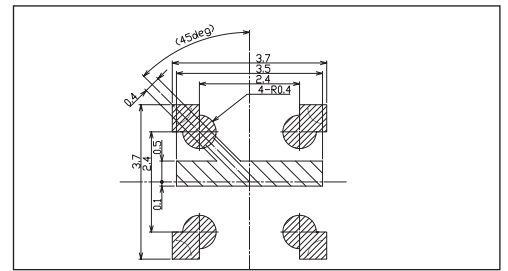
Package Outlines (mm)



Absolute Rating Limits (Ta=25°C)

Item	Symbol	Value	Unit
Power Dissipation per Lamp	P _D	340	mW
DC Forward Current per Chip	I _F	30	mA
DC Reverse Voltage per Chip	V _R	5	V
Operating Temperature	T _{opr}	-40 ~ +100	°C
Storage Temperature	T _{stg}	-40 ~ +100	°C

Recommended Soldering Pattern (mm)



Electrical and Optical Characteristics (Ta=25°C)

Part No.	Luminous Intensity [mcd]			Forward Voltage [V]		
	Typ.	Min.	I _F [mA]	Typ.	Max.	I _F [mA]
PX-1T412-W	4000	1800	20	3.3	3.7	20

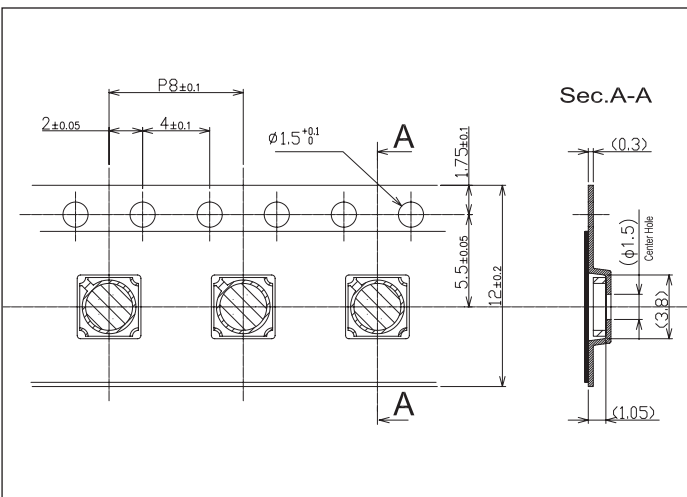
Luminous Intensity Ranks (Ta=25°C)

Luminous Intensity [mcd] at I _F =20mA / lamp					
Rank		Rank		Rank	
Q	1800 ~ 2700	R	2700 ~ 3900	S	3900 ~ 5600

Chromaticity Ranks (Ta=25°C, I_F=20mA)

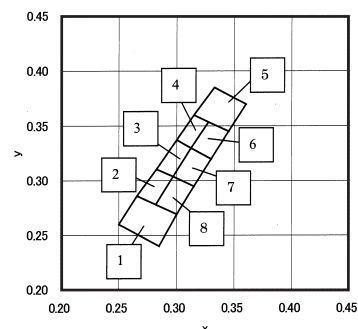
Rank	x	y	Rank	x	y
1	0.2500	0.2600	5	0.3150	0.3600
	0.2660	0.2860		0.3325	0.3850
	0.3000	0.2690		0.3600	0.3700
	0.2850	0.2400		0.3450	0.3450
2	0.2660	0.2860	6	0.3125	0.3300
	0.2825	0.3105		0.3274	0.3538
	0.2970	0.3040		0.3450	0.3450
	0.2820	0.2780		0.3300	0.3200
3	0.2825	0.3105	7	0.2970	0.3040
	0.3000	0.3375		0.3125	0.3300
	0.3125	0.3300		0.3300	0.3200
	0.2970	0.3040		0.3150	0.2950
4	0.3000	0.3375	8	0.2820	0.2780
	0.3150	0.3600		0.2970	0.3040
	0.3274	0.3538		0.3150	0.2950
	0.3125	0.3300		0.3000	0.2690

Taping Outline Dimensions (Unit: mm)



Package

Reel	1500 pieces / reel
------	--------------------



Typical Characteristics

