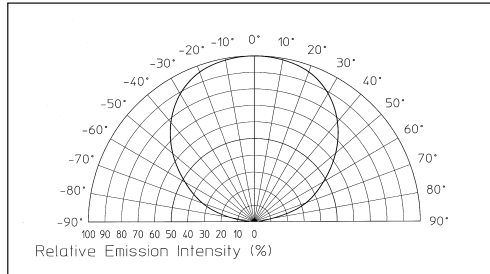


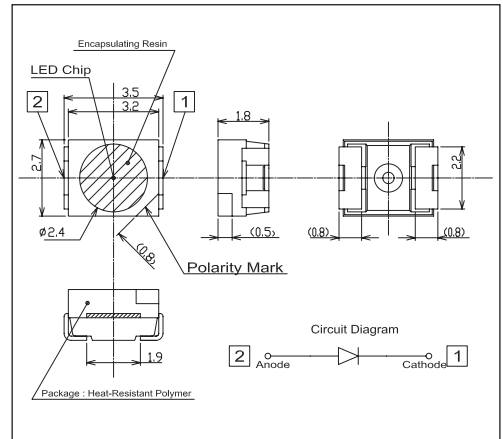
Characteristics

- High reliability PLCC-2 package
- High optical efficiency
- Toyoda Gosei InGaN core emitter
- Silicone encapsulation

Directive Characteristics (Ta=25°C)



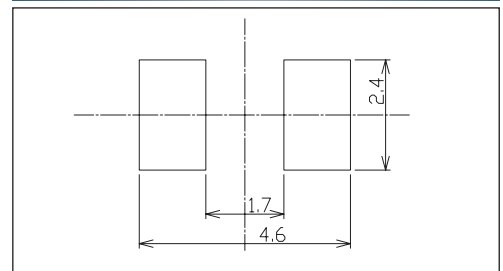
Package Outlines (mm)



Absolute Rating Limits (Ta=25°C)

Item	Symbol	Value	Unit
Power Dissipation	P_D	120	mW
DC Forward Current	I_F	30	mA
DC Reverse Voltage	V_R	5	V
Operating Temperature	T_{opr}	-40 ~ +100	°C
Storage Temperature	T_{stg}	-40 ~ +100	°C

Recommended Soldering Pattern (mm)



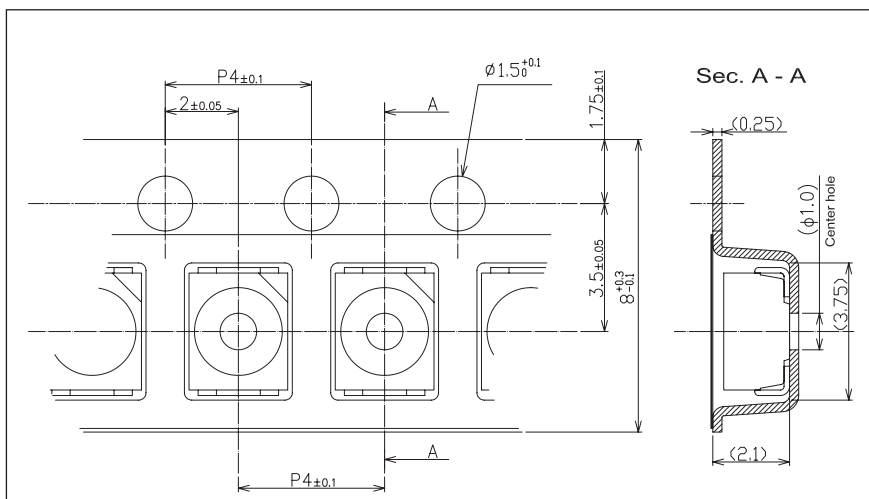
Electrical and Optical Characteristics (Ta=25°C)

Part No.	Luminous Intensity [mcd]			Forward Voltage [V]			Wavelength Characteristics [nm]			
	Typ.	Min.	I_F [mA]	Typ.	Max.	I_F [mA]	λ_D Min.	λ_D Max.	$\Delta\lambda$ Typ.	I_F [mA]
PX-1T455-B	300	120	20	3.3	3.7	20	455	465	25	20

Luminous Intensity Ranks (Ta=25°C)

Luminous Intensity [mcd] at $I_F=20mA$					
Rank		Rank		Rank	
J	120 ~ 180	K	180 ~ 270	L	270 ~ 390

Taping Outline Dimensions (Unit: mm)



Package

Reel 2000 pieces / reel

Typical Characteristics

