

327SMO(E) & 327SMO(J) (+1.5V to +5.0V 32.768 kHz MODELS) 3.2x2.5 mm 3.2x1.5 mm

STANDARD SMD CLOCK OSCILLATORS

XTAL

CLK OSC

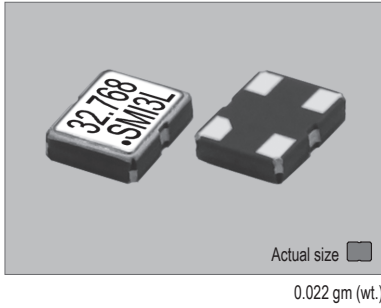
VCXO

TCXO

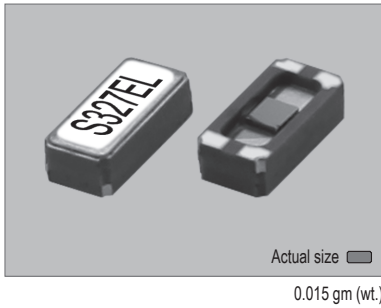
OCXO

MCF

327SMO(E)

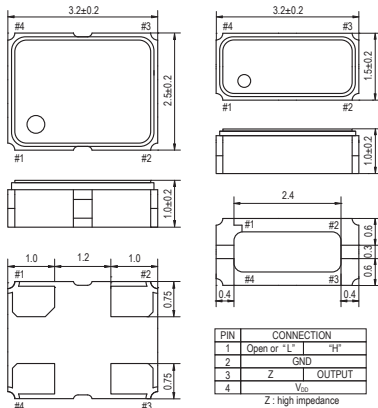


327SMO(J)



327SMO(E)

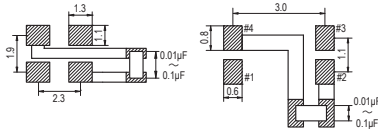
327SMO(J)



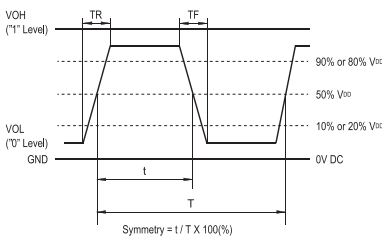
SOLDERING PATTERN

327SMO(E)

327SMO(J)



OUTPUT WAVEFORM



STANDARD SPECIFICATIONS

- 32.768 kHz CMOS OUTPUT
- LOW POWER CONSUMPTION
- TUNING FORK CRYSTAL BUILT-IN
- PACKAGE SIZE 3.2x2.5 & 3.2x1.5 mm

Item		Specifications	
General part number*1		327SMO(E)*1	327SMO(J)*1
Output frequency		32.768 kHz	
Frequency tolerance (at +25°C)		+30 ppm to -10 ppm (V _{DD} = +1.5V to +5.5V)	+28 ppm to -18 ppm (V _{DD} = +1.5V to +3.6V)
Frequency vs. supply voltage change		±0.5 ppm max. (V _{DD} = +1.5V to +5.5V)	±2.0 ppm max. (V _{DD} = +1.5V to +3.6V)
Temperature stability		A: +10 ppm to -120 ppm (-20°C to +70°C ref. to +25°C) B: +10 ppm to -150 ppm (-40°C to +85°C ref. to +25°C)	
Operating Conditions	Operating temperature	-40°C to +85°C (Standard)	
	Supply voltage (V _{DD})	+1.5V to +5.5V DC	+1.5V to +3.6V DC
	Stand-by control voltage (Pin#1)	V _{IH} : 90% V _{DD} min. V _{IL} : 10% V _{DD} max.*2	
Absolute Max. Ratings	Supply voltage	-0.3V to +7.0V DC	-0.3V to +4.0V DC
	Storage temperature	-55°C to +125°C	
Input current (-40°C to +85°C)		1 µA, Typical (1.5 µA max.) at V _{DD} = +3.3V no load (Pin #1 = V _{IH})	0.8 µA, Typical (1.5 µA max.) at V _{DD} = +3.3V no load (Pin #1 = V _{IH})
Stand-by current*2		250 nA max. (no load)	0.35 µA, Typical (no load)
Output (-40°C to +85°C)	Symmetry (1/2 V _{DD} level)	40% to 60%	45% to 55%
	Rise and fall times (10% V _{DD} to 90% V _{DD} level)	200 ns max. (CL = 15 pF at +25°C)	100 ns max. (CL = 15 pF at +25°C)
	"0" Level (CL = 15 pF)	V _{OL} : 10% V _{DD} max.	
	"1" Level (CL = 15 pF)	V _{OH} : 90% V _{DD} min.	
Load		15 pF max. (CMOS)	
Disable delay time		100 ns max.	
Enable delay time		1 sec max. (V _{DD} = +3.3V at +25°C)	
Start-up time (-40°C to +85°C)		1 sec max. (V _{DD} = +3.3V)	
Aging (at +25°C ±3°C for first year)		±5 ppm max.	±3 ppm max.
Reflow condition		+250°C ±10°C for 10 seconds +170°C ±10°C for 1 to 2 minutes (preheating)	

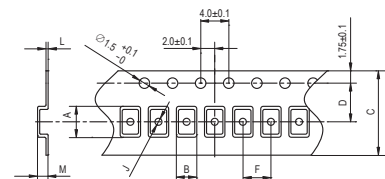
(*1) Final part number to be assigned with package type, input voltage and frequency stability.
e.g. 327SMO(1.8VE)A

(*2) Internal crystal oscillation to be halted (Pin#1 = V_{IL})

PACKAGE DATA

Item	Package	327SMO(E) & 327SMO(J)
Lid		Metal
Base		Ceramic
Sealing		Seam
Terminal		Tungsten (metalized)
Terminal plating		Gold / Nickel (surface) / (under)
RoHS		Compliant (Pb-free)

TAPE SPECIFICATIONS



327SMO(E)								
A	B	C	D	F	J	L	M	
3.4	2.7	8.0	3.5	4.0	1.0	0.25	1.4	
							Reel Dia.	Qty/Reel
							178	1000pcs

327SMO(J)								
A	B	C	D	F	J	L	M	
3.4	1.7	8.0	3.5	4.0	1.0	0.25	1.4	
							Reel Dia.	Qty/Reel
							180	3000pcs

TEST CIRCUIT

