

Miniatur SM-Uhrenquartz miniature SM clock crystal

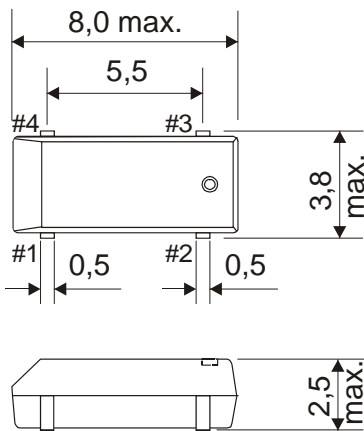
M3



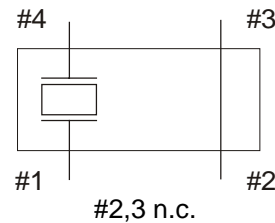
- kleine Bauform, hohe Packungsdichte
 - stabiles Schwingverhalten
 - hervorragende Zuverlässigkeit
 - weiter Betriebstemperaturbereich
 - 2,5 mm Bauhöhe - gleich mit SM-IC's
-
- *small outline for high density mounting*
 - *stable performance*
 - *excellent reliability*
 - *wide operating temperature range*
 - *2,5mm thickness - equal to SM IC's*

Part no.		M3K032761CVVDF0
Package type		M3
Nominal frequency	F	32,768 kHz
Frequency tolerance at +25°C	$\Delta f/F$	± 20 ppm
Load capacitance	C_L	12,5 pF
Series resistance	R_S	50 kOhm max.
Drive level	P	1,0 μ W max.
Quality factor	Q	50.000 min.
Turnover temperature	T_t	+25°C \pm 5°C
Parabolic curvature constant	β	-0,034ppm \pm 0,006ppm/K ² typ.
Shunt capacitance	C_0	2,5 pF max.
Aging	$\Delta f/F$	$\leq \pm 3$ ppm in first year
Operating temperature range	T_O	-40°C to +85°C
Storage temperature range	T_S	-40°C to +105°C
Reflow soldering condition	T_R	10 seconds max. at +260°C
RoHS		konform / conformat

Abmessungen / dimensions



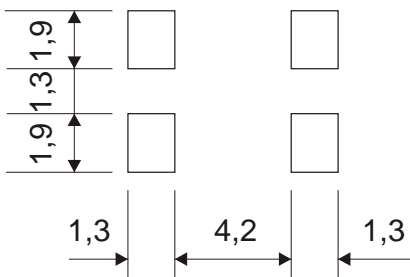
Anschlußschema / schematics



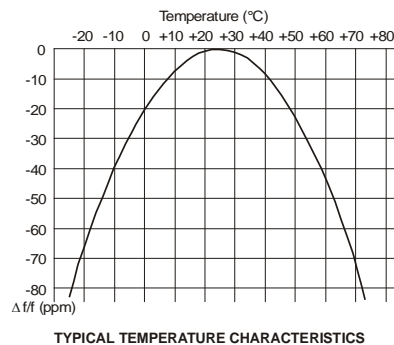
Bestellbezeichnung Lagertypen order code stock items

M3K032761CVVDF0 ± 20 ppm 12.5pF

Layoutvorschlag suggested soldering pad



XY-Cut



Lötprofil lead-free solder profile

