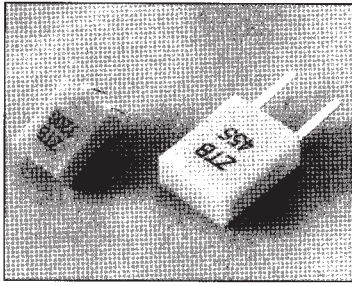


CERAMIC RESONATORS (LOW FREQUENCY)

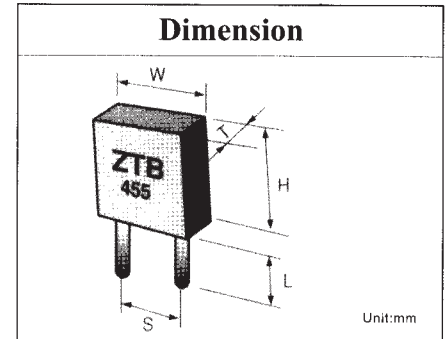
Type: ZTB TYPE, KHz Band, fo: 190~1250 KHz



FEATURES:

- High reliable design with excellent environmental resistance.
- Optimum selection of oscillation parameters possible according to application.
- Standard frequency range of 190KHz to 1250KHz.
- Formed lead type also standardized for use in low profile devices.

Dimension	Frequency Range				
	190~249 KHz	250~374 KHz	375~400 KHz	401~699 KHz	700~1250 KHz
Width W (mm)	13.5	11.0	7.9	7.0	5.2
Thickness T (mm)	3.8	3.8	3.6	3.5	2.8
Height H (mm)	14.7	12.2	9.3	9.0	6.8
Lead Space S (mm)	10.0	7.7	5.0	5.0	2.5
Lead Length L (mm)	8.0	7.0	7.0	4.0(6.0)	3.5



STANDARD SPECIFICATION	Frequency Range						
	190~249 KHz	250~374 KHz	375~400 KHz	401~509 KHz	510~699 KHz	700~999 KHz	1000~1250 KHz
Frequency Accuracy	±1 KHz	±1 KHz	±2 KHz	±2 KHz	±2 KHz	±0.5%	±0.5%
Resonant Impedance (Ohm) MAX	20	20	20	20	30	70	100
Stability in Temperature (-20~+80°C)	±0.3%	±0.3%	±0.3%	±0.3%	±0.3%	±0.3%	±0.3%
Aging For Ten Years	±0.3%	±0.3%	±0.3%	±0.3%	±0.3%	±0.3%	±0.3%
Load Capacitance (PF) C1	330	220	120	100	100	100	100
Load Capacitance (PF) C2	470	470	470	100	100	100	100

ORDERING INFORMATION

CR ■■■■■■ — ■■ — ■■■

Type **Frequency (KHz)** **Series** **Packing** **Serial No.**

e.g. 455KHz = 00455

Lead Type: "—" Standard

CR=Ceramic Resonator

Series
ZTB = B0 (zero)

Option (Reserve)
"—" = Standard

For Special Requirement/ Specification.

Packing:
B = Bulk Pack
A = Ammo Pack (Standard 2K/pack)
K = 16mm Blister Tape (Standard 4K/pack)
S = Special Packing Requirement
L = 12mm Blister Tape (Standard 1K/Reel)

*******Part Number Example:*******
e.g. ZTB Ceramic Resonator 455KHz, Bulk Pack = CR00455-B0-B00

Vertrieb in Österreich:



A-1130 Wien
Lilienberggasse 13
Tel.: +43-1-403 08 12
Fax: +43-1-408 72 13
e-mail: info@knap.at
http://www.knap.at

TEST CIRCUIT

