

IP 67
ACCORDING TO
EN 60529:1991+A1:2001
IEC 60529:2001

UL US
E 187490

RoHS
compliant



SPECIFICATIONS

CONTACT RATING: Dependent upon contact material See Page 63.

MECHANICAL LIFE: 30,000 make-and-break cycles.

CONTACT RESISTANCE: 10 mΩ max. initial @ 2-4VDC
100mA for both silver and gold plated contacts.

INSULATION RESISTANCE: 1,000 MΩ min.

DIELECTRIC STRENGTH: 1,000 Vrms min. @sea level.

OPERATING TEMPERATURE: -30°C to 85°C.

MATERIALS

CASE & BUSHING : Glass filled nylon 6/6, flame retardant, heat stabilized (UL94V-0).

ACTUATOR: Nylon, black std. Internal O-ring seal standard with all actuators.

FRAME: Spring steel, black std.

SWITCH SUPPORT: Brass or steel, tin plated.

ACTUATOR PIVOT & MOUNTING BRACKET: Nylon.

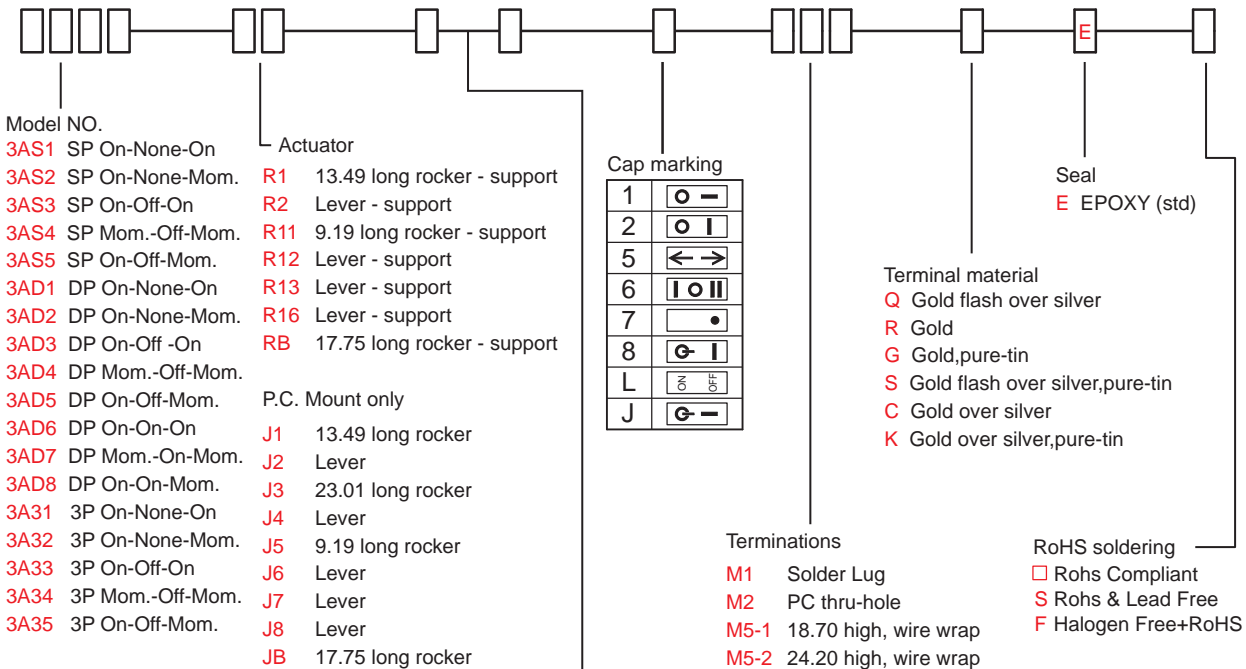
ACTUATOR PIVOT RETAINER: Stainless steel.

TERMINAL/CONTACT: Silver or gold plated copper alloy.
(See Page 63)

HOW TO ORDER

MODEL NO. ACTUATOR FRAME COLOR ACTUATOR COLOR CAP MARKING TERMINATIONS TERMINAL MATERIAL SEAL RoHS SOLDERING

See below



Frame/Actuator Color

ITEM NO	COLOR
1	White
2	Black (Std)
3	Red
4	Orange
5	Yellow
6	Green
7	Blue
8	Brown
9	Gray



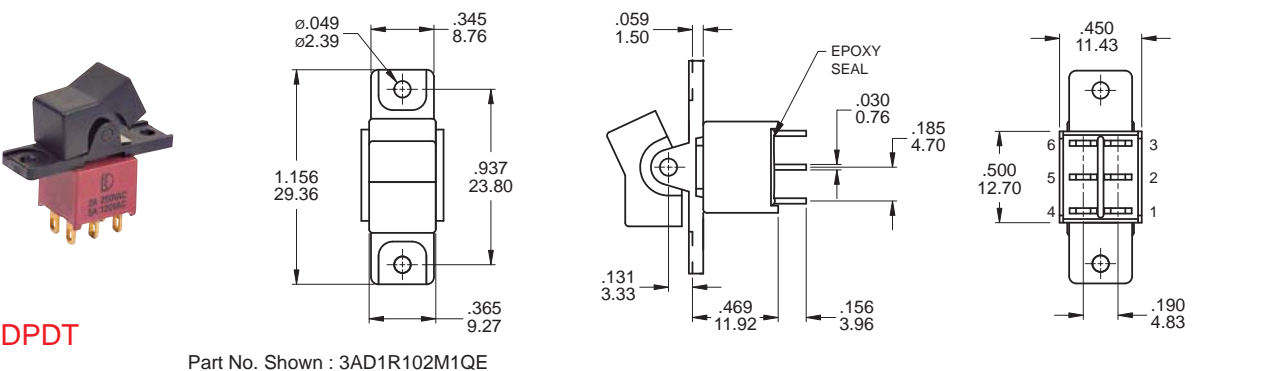
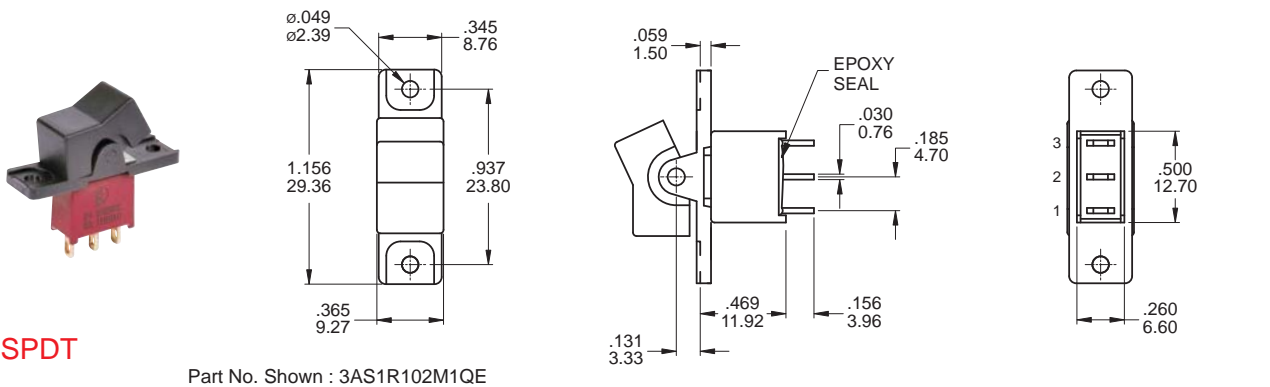
SWITCH FUNCTION

NO. POLES	UL/CSA MODEL NO.	MODEL NO.	SWITCH FUNCTION			CONNECTED TERMINALS / SCHEMATIC		
			POS.1	POS.2	POS.3	POS.1	POS.2	POS.3
SP	Q13A11	3AS1	ON	NONE	ON	2-3	N/A	2-1
	Q13A12	3AS2	ON	NONE	MOM			
	Q13A13	3AS3	ON	OFF	ON		OPEN	
	Q13A14	3AS4	MOM	OFF	MOM			
	Q13A15	3AS5	ON	OFF	MOM			
DP	Q13A21	3AD1	ON	NONE	ON	2-3,5-6	N/A	2-1,5-4
	Q13A22	3AD2	ON	NONE	MOM			
	Q13A23	3AD3	ON	OFF	ON		OPEN	
	Q13A24	3AD4	MOM	OFF	MOM			
	Q13A25	3AD5	ON	OFF	MOM			
	Q13A26	3AD6	ON	ON	ON	2-3,5-6	2-3,5-4	2-1,5-4
	▲ Q13A27	3AD7	MOM	ON	MOM			
	▲ Q13A28	3AD8	ON	ON	MOM			
3P	Q13A31	3A31	ON	NONE	ON	2-3,5-6,8-9	N/A	2-1,5-4,8-7
	Q13A32	3A32	ON	NONE	MOM			
	Q13A33	3A33	ON	OFF	ON		OPEN	
	Q13A34	3A34	MOM	OFF	MOM			
	Q13A35	3A35	ON	OFF	MOM			

MOM=MOMENTARY

▲ Please check the availability in advance before order

POLE OPTIONS

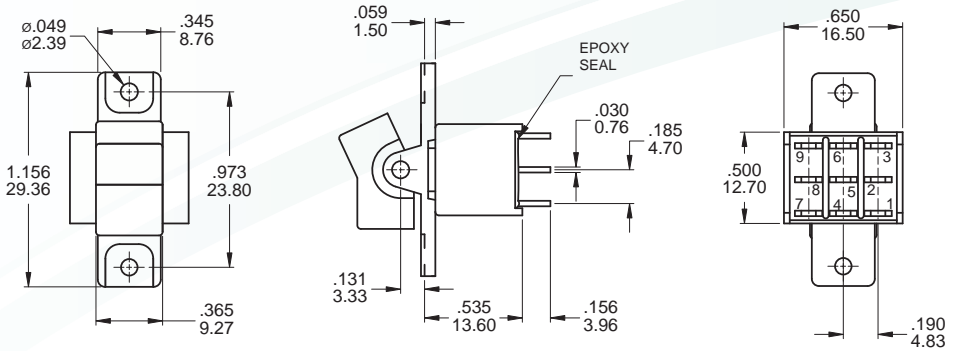


3A
Rocker Switches



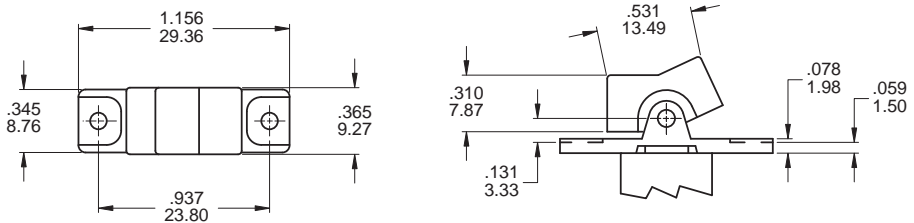
3PDT

Part No. Shown : 3A31R102M1RE

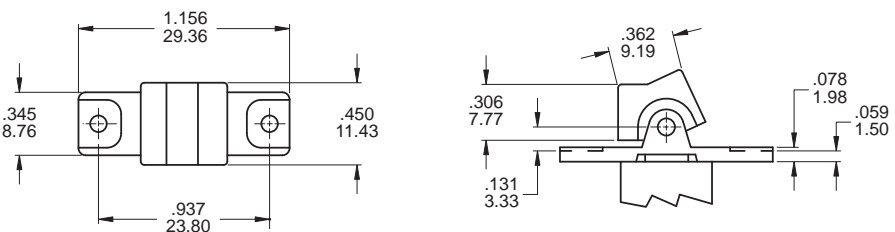


ACTUATOR OPTIONS FOR PANEL MOUNT ONLY

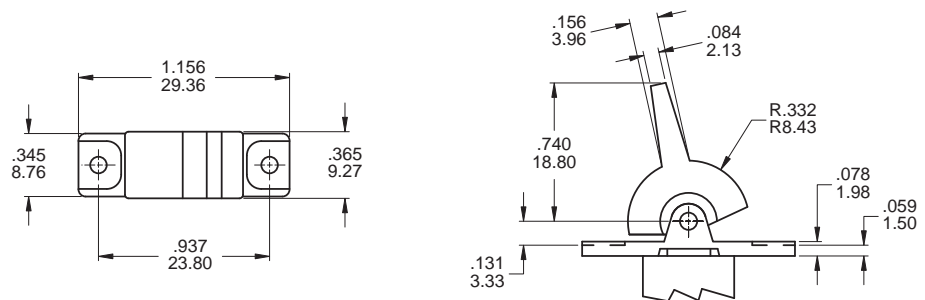
R1



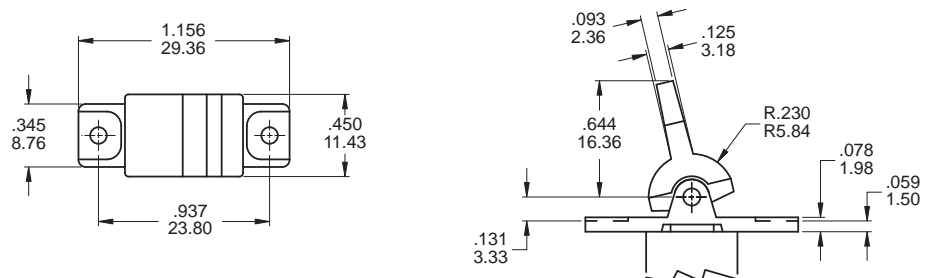
R11



R2

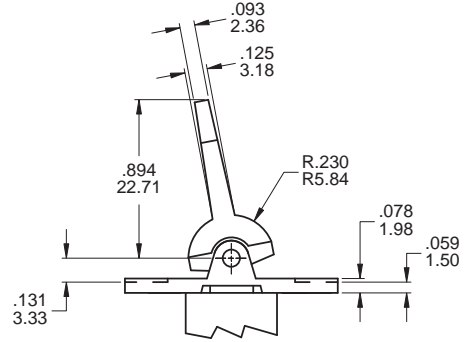
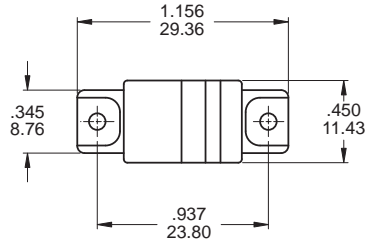


R12

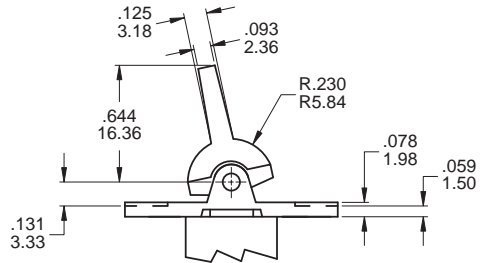
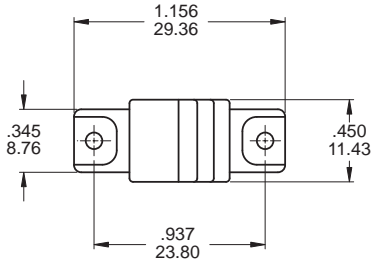




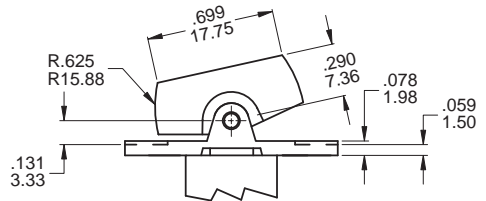
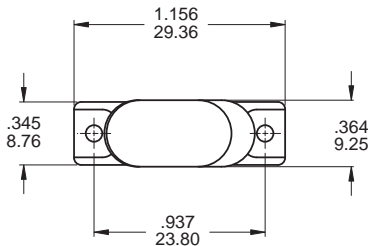
R13



R16

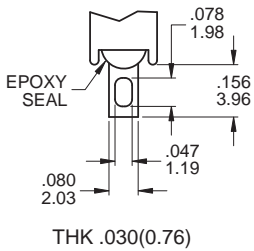


RB

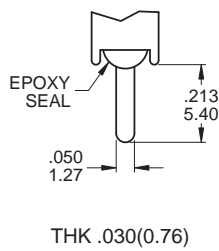


TERMINATION OPTIONS

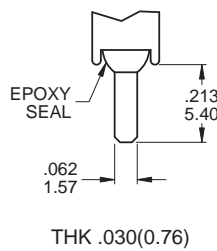
M1 Solder lug



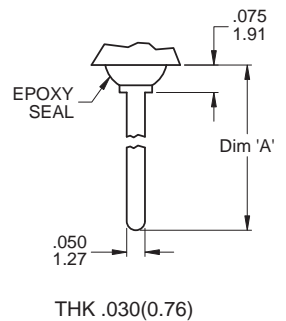
M2 PC Thru-hole



M3 Quick connect



M5 Wire Wrap



OTHER TERMINATION OPTIONS

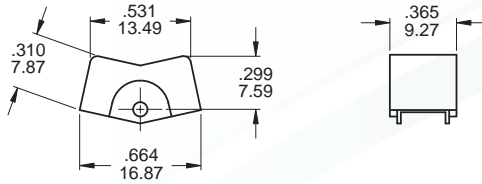
- M6 RIGHT ANGLE P.C. MOUNT
- M7 RIGHT ANGLE P.C. MOUNT
- VS2 VERTICAL BRACKET P.C. MOUNT
- VS3 VERTICAL BRACKET P.C. MOUNT

OPTION CODE	DIM. 'A'
M5-1	.736 (18.70)
M5-2	.953 (24.20)
M5-3	.415 (10.55)
M5-4	1.062 (26.97)

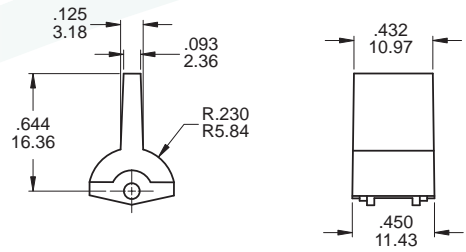
ACTUATOR OPTIONS FOR P.C. MOUNT ONLY



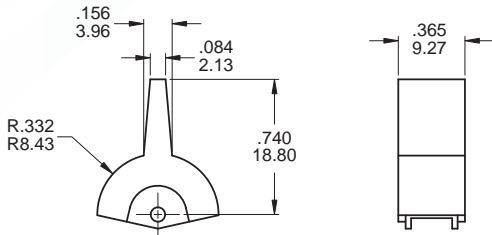
J1



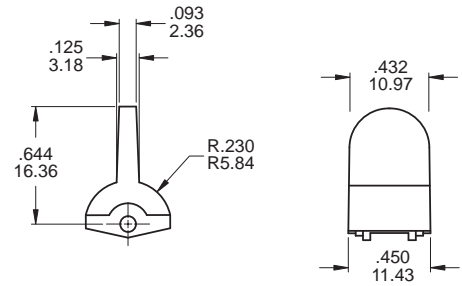
J6



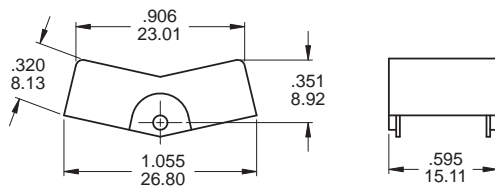
J2



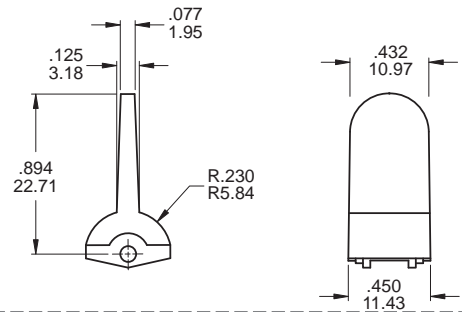
J7



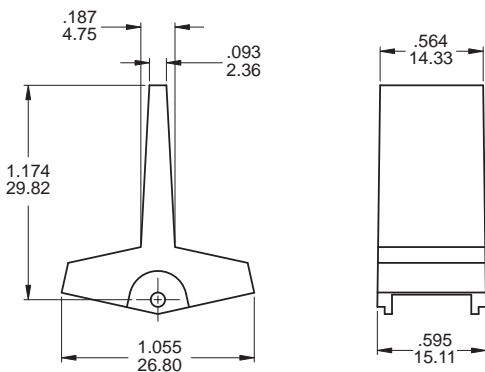
J3



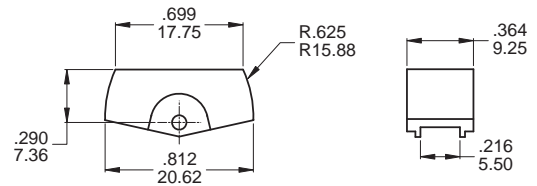
J8



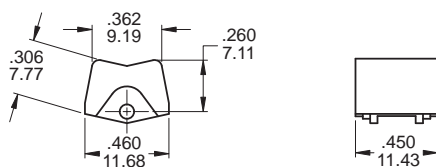
J4



JB



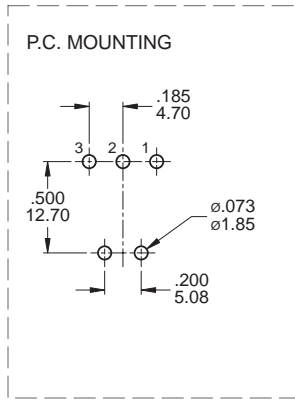
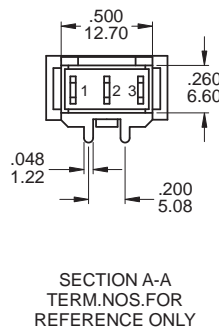
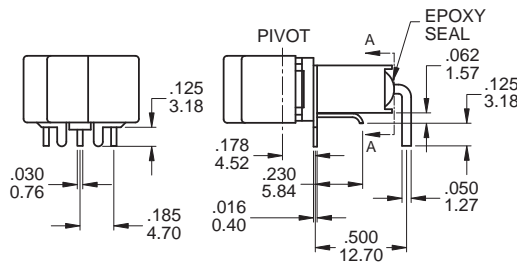
J5



Actuator colors:

ITEM NO	COLOR
1	White
2	Black (Std)
3	Red
4	Orange
5	Yellow
6	Green
7	Blue
8	Brown
9	Gray

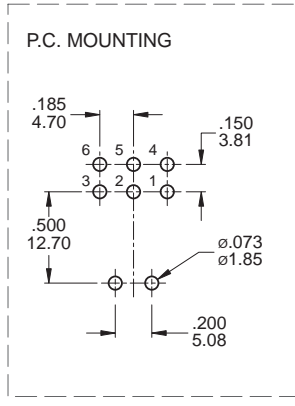
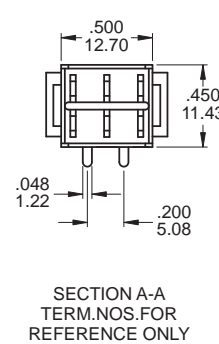
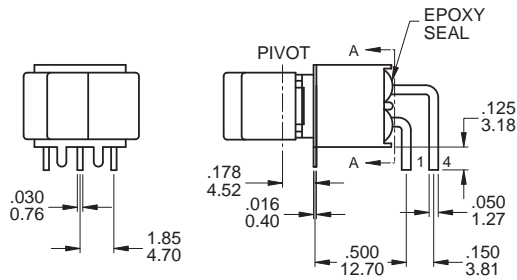
M6



SPDT

Part No. Shown : 3AS1J102M6QE

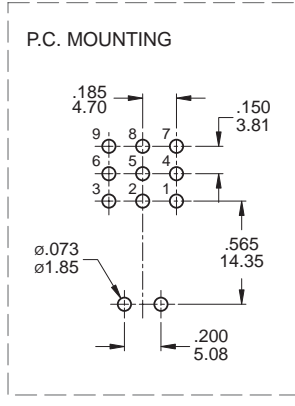
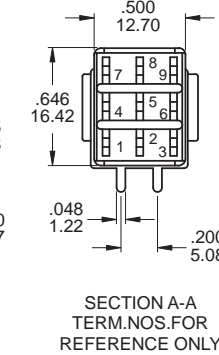
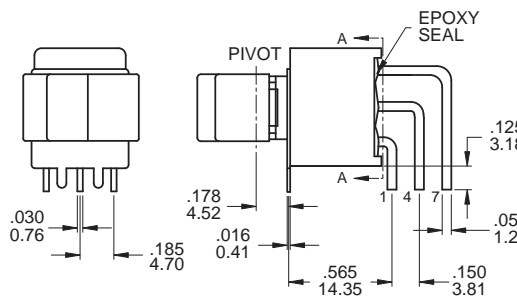
M6



DPDT

Part No. Shown : 3AD1J102M6QE

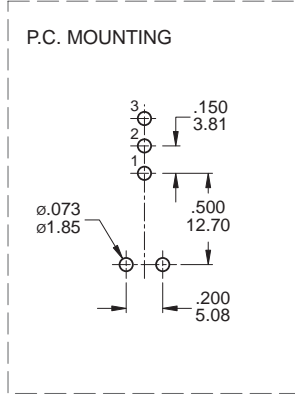
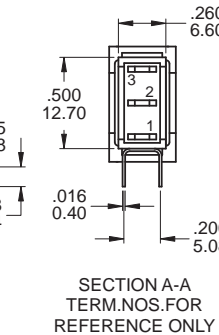
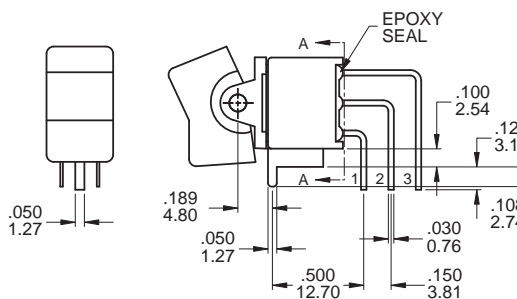
M6



3PDT

Part No. Shown : 3A31J102M6RE

M7



SPDT

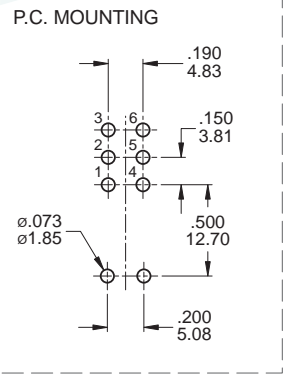
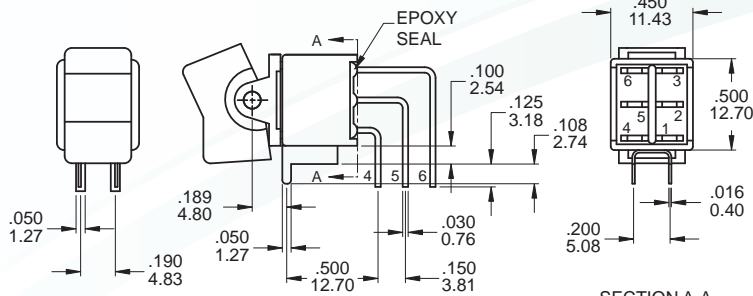
Part No. Shown : 3AS1J102M7RE



3A
Rocker Switches



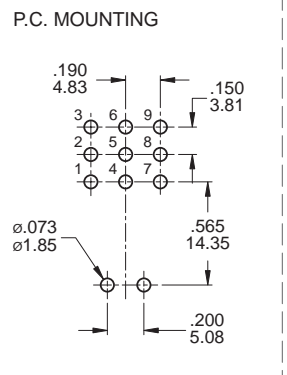
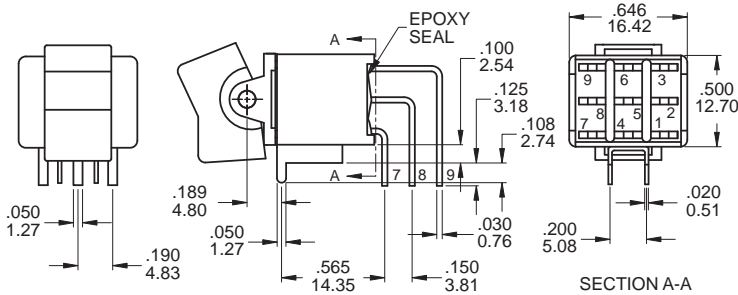
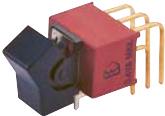
M7



DPDT

Part No. Shown : 3AD1J102M7RE

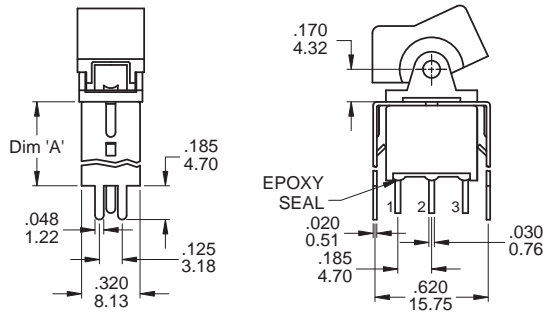
M7



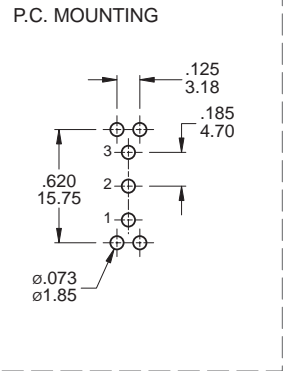
3PDT

Part No. Shown : 3A31J102M7RE

VS2 - VS3



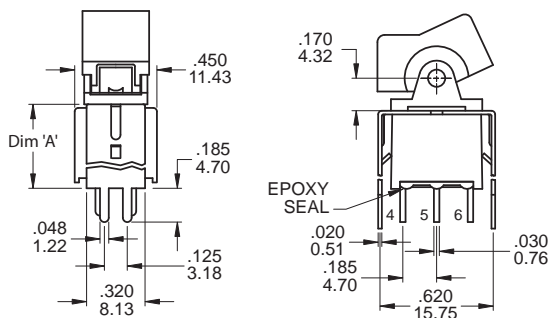
OPTION CODE	DIM. 'A'
VS2	.460 11.68
VS3	.630 16.00



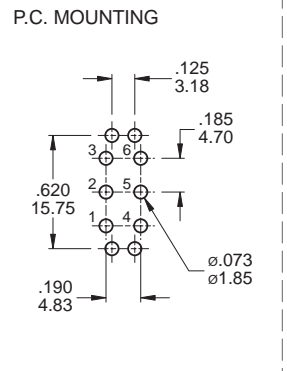
SPDT

Part No. Shown : 3AS1J102VS2QE

VS2 - VS3



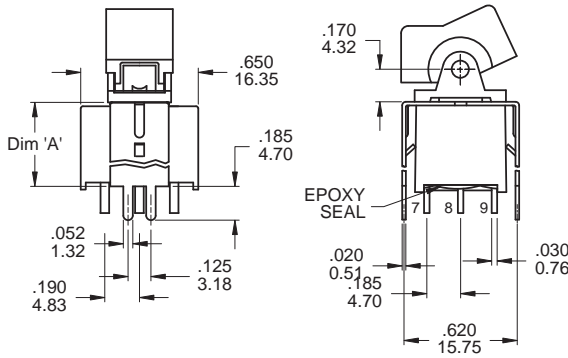
OPTION CODE	DIM. 'A'
VS2	.460 11.68
VS3	.630 16.00



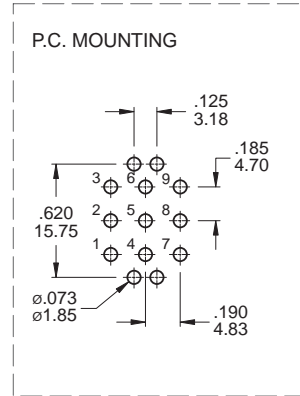
DPDT

Part No. Shown : 3AD1J102VS2QE

VS2 - VS3



OPTION CODE	DIM. 'A'
VS2	.460 11.68
VS3	.630 16.00

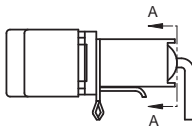


3PDT

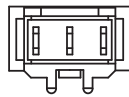
Part No. Shown : 3A31J102VS2RE

SNAP-IN TERMINATION OPTIONS

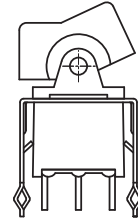
M6N



V2N



SECTION A-A



CONTACT MATERIAL OPTIONS

	CONTACT PLATING	TERMINAL PLATING	RATINGS
Q	Silver	Q = Gold flash over silver	5 Amps with resistant load @ 120VAC or 28VDC 2 Amps with resistant load @ 250VAC
S		S = Gold flash over silver,pure - tin	
C	Gold over Silver	C = Gold over silver	
K		K = Gold over silver,pure - tin	
R	Gold	R = Gold	0.4 Volt - Amps (VA) max. @ 20V max. (AC or DC)
G		G = Gold,pure - tin	

SOLDERING PROCESSES

MANUAL SOLDERING: Use soldering iron of 30 watts, controlled at 350°C approximately 5 seconds while applying solder.

WAVE SOLDERING: Recommended Soldering Temperature: 260 ± 5°C

Duration of Solder Immersion: Max 5 sec. (PCB is 1.6mm in thickness)

