

MATERIAL:  
 BUSHING: PA66.  
 BASE: PBT(UL 94-V0) , PC(UL 94-V2)  
 ACTUATOR: PC ; PA66 ; POM.  
 INNER ASSEMBLY: POM./PA66.  
 SPRING: Spring steel.  
 SEALING: Silicone.  
 O-Ring: Silicone.  
 TERMINAL/CONTACT: Brass ,Silver plated.  
 HEX NUT: PC.  
 RoHS

**KPB22-XXXX-XXXX-XX-JQ-XXX** —Reservation code

Bezel Color

8 Silver

Actuator Type

8P1	Silver Actuator+White power
8P2	Silver Actuator+Black power
8P3	Silver Actuator+Red power
8P6	Silver Actuator+Green power
8P7	Silver Actuator+Blue power

F Flat

Contact Configuration

1	1NO 1NC
2	2NO 2NC

Operating type

0	Momentary
1	LOCK

LED color

0	Without LED
1	White
3	Red
5	Yellow
6	Green
7	Blue
A	Red/Green
B	Red/Blue

LED voltage

0	Without LED or resistor
3	3V
6	6V
12	12V
24	24V
110	110V
220	220V

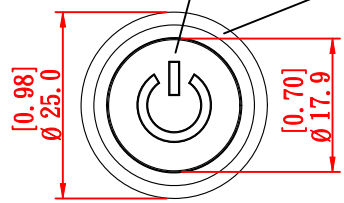
Terminal plating

Q	Silver
---	--------

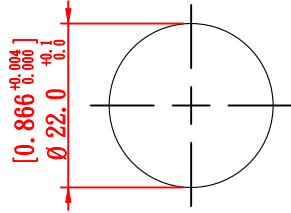
Terminal shape

J	Solder Terminal
---	-----------------

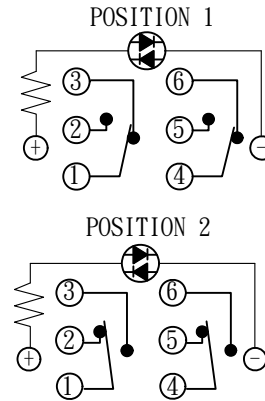
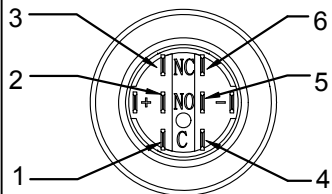
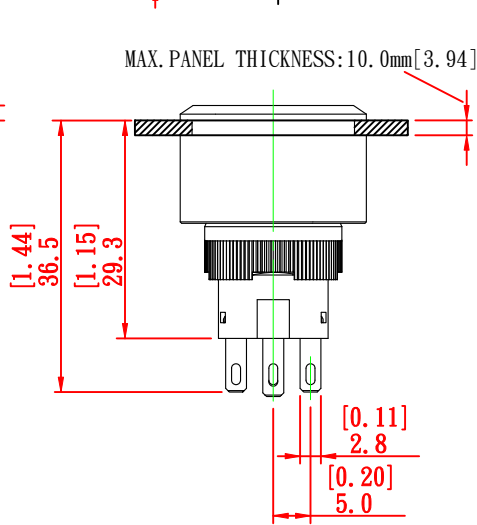
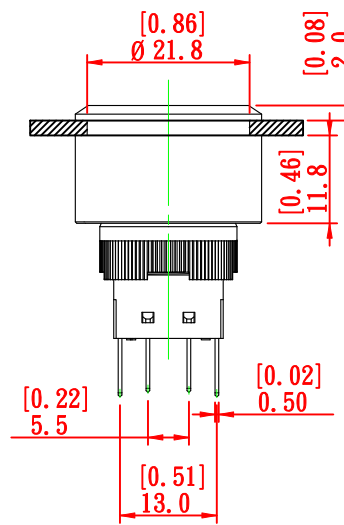
Actuator Bezel



PANEL CUTOUT



MAX. PANEL THICKNESS: 10.0mm [3.94]



example: KPB22-88P3-F210-312-JQ

SPECIFICATIONS

- CONTACT MATERIAL: SILVER.
- RATING: 1th 5A/250VAC. resistive load 3A/250VAC.
- ELECTRICAL LIFE: 50,000 MAKE-AND-BREAK CYCLES AT FULL LOAD.
- MECHANICAL LIFE: SELF-LOCK 500,000.
- INSULATION RESISTANCE: 1,000MΩ MIN AT 500VDC.
- DELECTRIC STRENGTH: 2,000V RMS@sea level.
- CONTACT RESISTANCE: 50mΩ MAX.@1A 12VDC(initial value).
- OPERATING TEMPERATURE: -20°C to 55°C .
- TRAVEL: ABOUT 3.2mm.
- OPERATION PRESSURE: 2.5±1N.
- INGRESS PROTECTION: IP65.
- TORQUE: 5~14Nm.

僅供參考

德利威電子股份有限公司  
 DAILYWELL ELECTRONICS CO.,LTD.

符號	原尺寸	修改後尺寸	變更日期
1	(A)		
2	(B)		
3	(C)		
4	(D)		
5	(E)		

SCALE(比例): 1:1  
 TOLERANCE (公差):  
 0.00 mm ± 0.25mm  
 0.0 mm ± 0.40mm  
 ANGULAR: ± 2°  
 FILE NAME :

TITLE 圖名	KPB22 成品圖		SIZE 圖紙	A4
DWG NO. 圖號	KPB22-88PX-F210-XX-JQ		UNIT 單位	inch mm
REV. 版本	R01	DATE 日期	2016.07.01	SHEET 張數
CHECKED BY 審核		DRAWN BY 製圖	研發工程師 簡光萬	